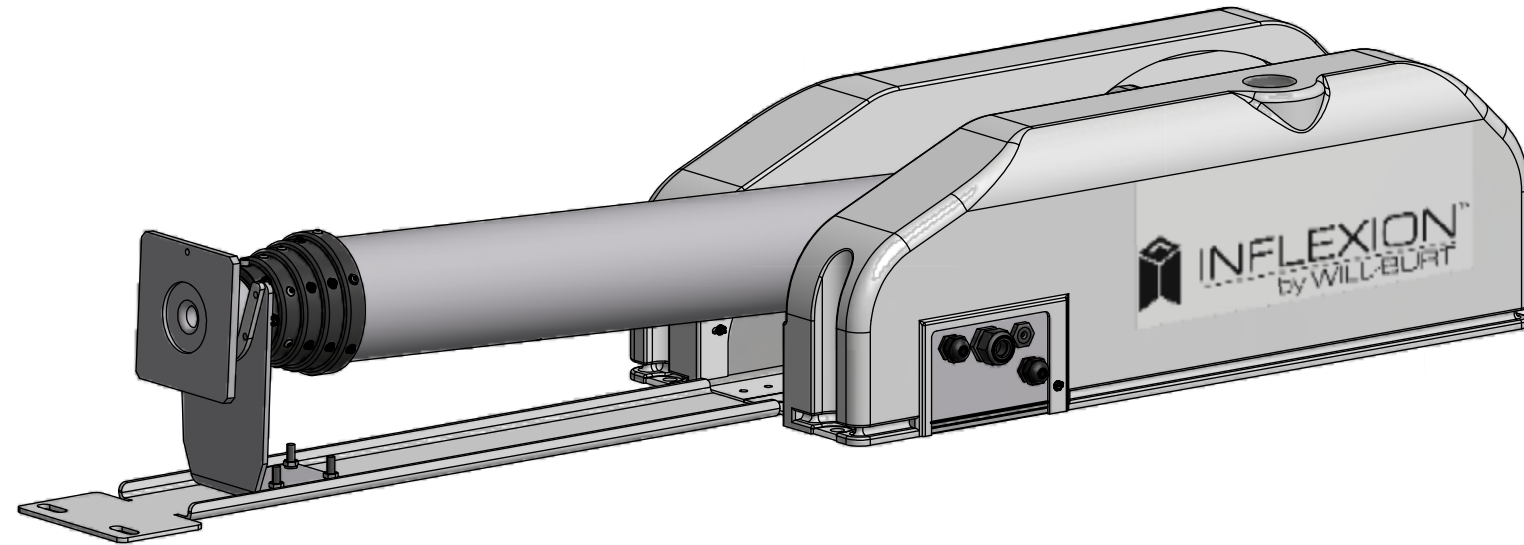
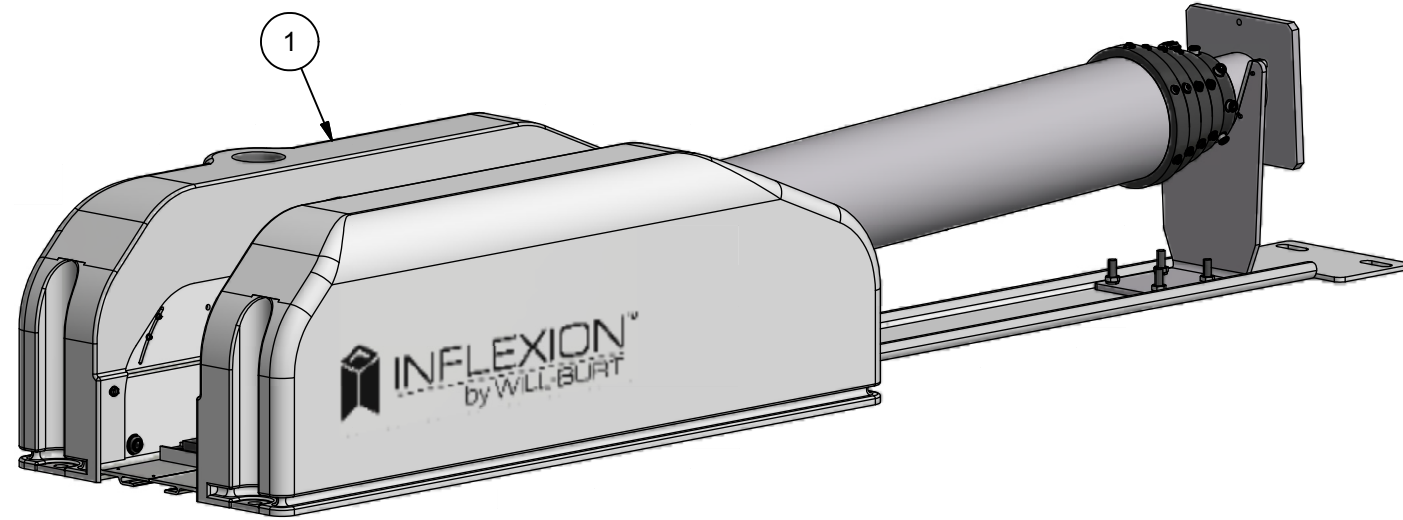


REVISION HISTORY				
ECN	REV	DESCRIPTION	DATE	APPROVED
11967	00	INITIAL RELEASE	1/21/2014	RCC
12758	A	5246801 was 912247	6/5/2015	RCC



NOTE:
 1 5246801 TO BE INSTALLED.

APPROX. WT:113.1 lbmass

THIRD ANGLE PROJECTION



**UNLESS OTHERWISE SPECIFIED
 DIMENSIONS ARE IN INCHES.**
 TOLERANCES ON DECIMALS ANGLES
 0 = ± 0.030 ± 1/2°
 00 = ± 0.010
 000 = ± 0.005
 FRACTIONAL ± 1/64"
 1. ALL INSIDE EDGES TO HAVE
 .005" TO .035" FILLETS.
 2. ALL OUTSIDE EDGES TO HAVE
 .005" TO .015" CHAMFER OR RADIUS.
 125°
 ON ALL MACHINED SURFACES

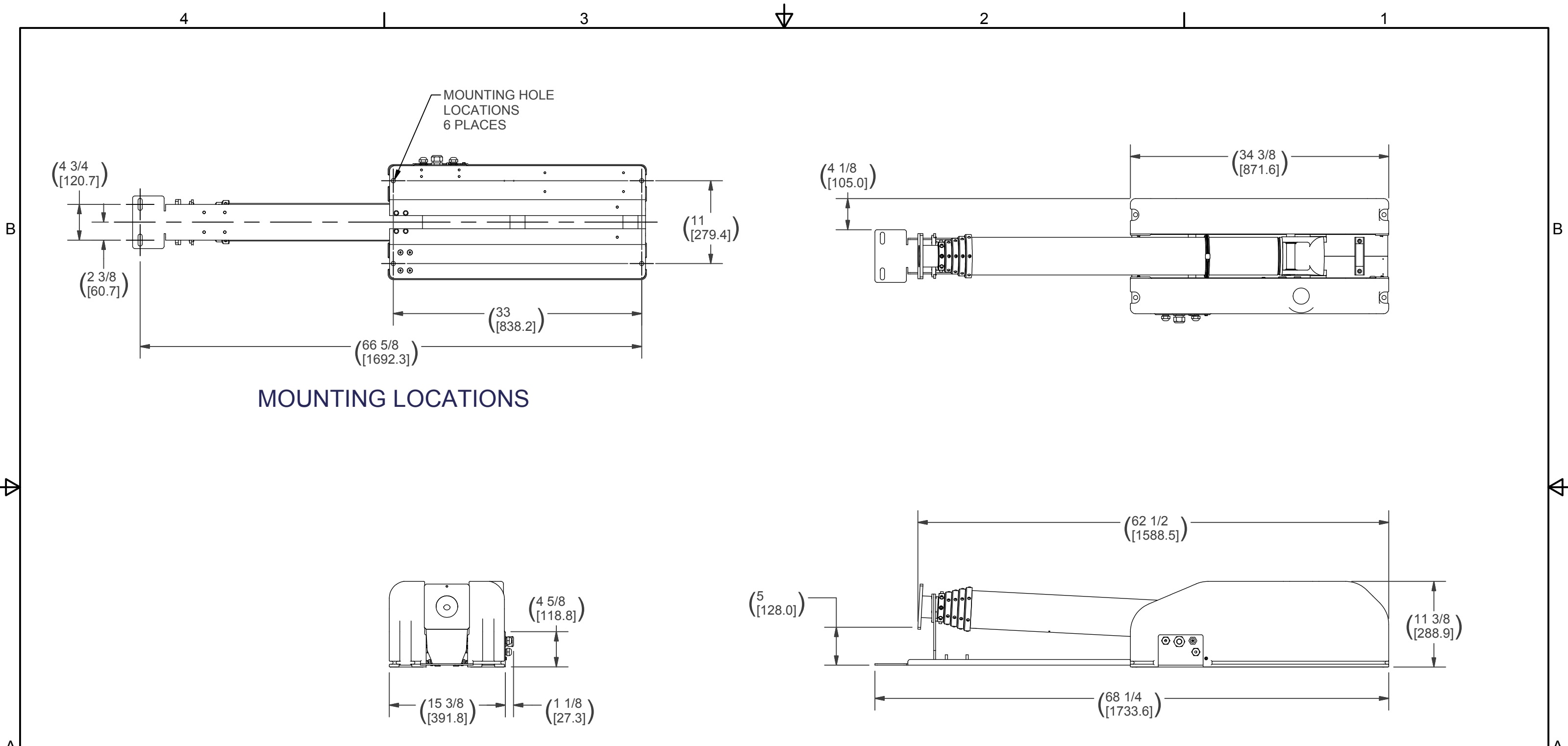
PROPRIETARY AND CONFIDENTIAL
 THE INFORMATION CONTAINED IN THIS
 DRAWING IS THE SOLE PROPERTY OF THE
 WILL-BURT COMPANY ANY
 REPRODUCTION IN PART OR WHOLE
 WITHOUT THE WRITTEN PERMISSION OF
 THE WILL-BURT COMPANY IS PROHIBITED.

W3 AN EMPLOYEE OWNED COMPANY
 WILL-BURT ORRVILLE, OH

TITLE
**NS 4.5 INFLX 12VDC COMP
 W/PLATFORM**

APPROVALS	DATE
DRAWN RCC	1/21/2014
CHECKED	

SIZE	DWG NO	REV
B	722069003	A
PN: 722069003		SHEET 1 OF 2



MOUNTING LOCATIONS

NOTES:
SECONDARY DIMENSIONS - MILLIMETERS NOTED IN BRACKETS.

APPROX. WT:113.1 lbmass

THIRD ANGLE PROJECTION



UNLESS OTHERWISE SPECIFIED DIMENSIONS ARE IN INCHES.
 TOLERANCES ON DECIMALS ANGLES
 0 = ± 0.030 ± 1/2°
 00 = ± 0.010
 000 = ± 0.005
 FRACTIONAL ± 1/64"
 1. ALL INSIDE EDGES TO HAVE .005" TO .035" FILLETS.
 2. ALL OUTSIDE EDGES TO HAVE .005" TO .015" CHAMFER OR RADIUS.
 125√ ON ALL MACHINED SURFACES

PROPRIETARY AND CONFIDENTIAL
 THE INFORMATION CONTAINED IN THIS DRAWING IS THE SOLE PROPERTY OF THE WILL-BURT COMPANY ANY REPRODUCTION IN PART OR WHOLE WITHOUT THE WRITTEN PERMISSION OF THE WILL-BURT COMPANY IS PROHIBITED.

WB AN EMPLOYEE OWNED COMPANY
 WILL-BURT ORRVILLE, OH

TITLE
NS 4.5 INFLX 12VDC COMP W/PLATFORM

APPROVALS	DATE
DRAWN RCC	1/21/2014
CHECKED	

SIZE B	DWG NO 722069003	REV A
PN: 722069003	SHEET 2 OF 2	