



LONG RANGE SEARCHLIGHT

The Night Scan Sirion Max is a long range searchlight with a 5.5 km / 18,045 ft. light beam. Meeting all industry specifications, the Sirion Max is ideal for first responders, defense, and other professional applications.

ESSENTIAL FEATURES

- High-powered, Solid-state Searchlight
 - 5.5 km maximum distance
 - 1000 m at 100% power with 9 lx and beam diameter 17 m
 - Modes: 100% Power / 50% power / 10% power / Strobe
 - Adjustable beam width 1°-15° motorized
- Rechargeable Li-ion battery (detachable)
- Simple one-hand operation
- Integrated rail cover for easy payload mounting
- Compact design weighs only 3 kg / 6.6 lb. including battery
- Rugged and reliable under the harshest conditions with a hard-anodized finish on aluminum-alloy and IP68 weather rating
- Warranty 2-years
- Options
 - IR effective range 1.2 km night vision
 - Green laser dazzler effective up to 500m



SIRION MAXX LONG RANGE SEARCHLIGHT

LIGHT BEAM PATTERNS



STANDARD EQUIPMENT



Nightscan Sirion Maxx



Controller



K6B Battery Bank



K6BA Cord



K6BR-A AC Charger



K6BR-B DC charger



Storage Case



Shoulder Strap

OPTIONAL EQUIPMENT



AL-IR-A Auxiliary IR module



Vehicle Adapter



AC Adapter



Amber Filter



Remote Controller



PC Cable



GUI-Computer Control interface

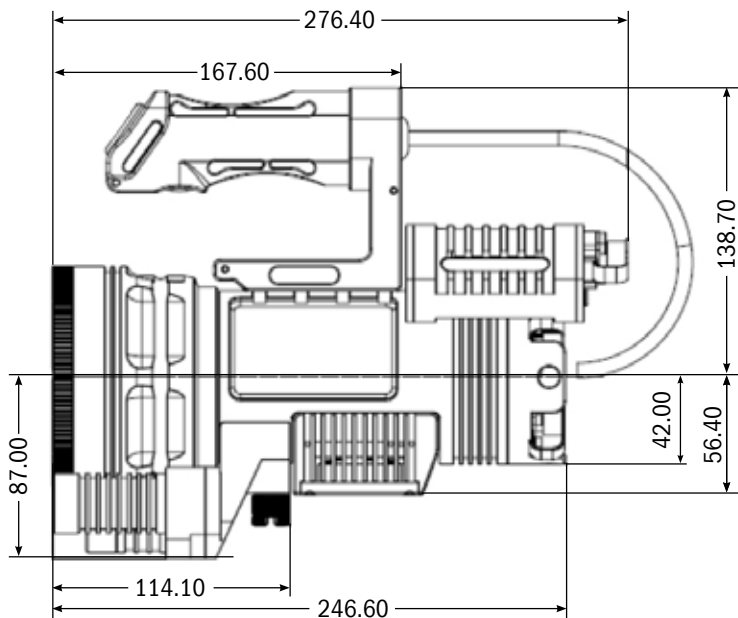


Picatinny Rails and Mount

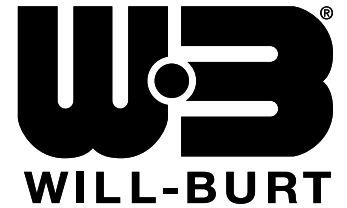
SPECIFICATIONS

Performance	
Output	7,520,000 candela (as per ANSI/ANSI/PLATO FL1-2016)
Light Range with 100% power (m / ft.)	5,500 / 18045 (as per ANSI/ANSI/PLATO FL1-2016)
Brightness (5m from light source)	100% power: 300,000 lx / 50% power: 130,000 lx / 20% power: 30,000 lx
Modes	Strobe / 100% Power / 50% power / 10% power
Beam Width (motorized)	White: 1° - 15° (40° max)
Runtime (powered by K6 battery)	100% power: 80 min / 50% power: 200 min / Strobe: 110 min (default frequency: 15Hz / default duty cycle: 50%)
IR availability	850 nm & 940 nm
Filter	Amber smoke
Control	
Control method	Button on the handle / computer control via RS232 (Optional)
Control	Switch modes between 100% high power / 50% power / Strobe Adjust beam width: 1° ~ 15° - 40° (white light)
Dimensions	
Length (mm / in.)	277 / 10.91
Bezel diameter (mm / in.)	106 / 4.17
Body height (mm / in.)	122 / 4.80
Weight (without battery bank) (kg / lb)	3.2 / 7.1
Environment	
IP Rating	IP68
Operating temperature (°C / °F)	-35 ~ +55 / -31 ~ 131 (as per U. S. MIL-STD-810G)
Storage temperature (°C / °F)	-40 ~ +70 / -40 ~ 158 (as per U. S. MIL-STD-810G)
Ingress Protection	IPX7 (as per U. S. MIL-STD-810G) (1m immersion, 30 minutes)
Drop (cm / in.)	76 / 30.0 (with package as per U. S. MIL-STD-810G)
Power supply	K6B Battery bank or 12- 28 V DC power
Battery	
Type	Rechargeable Li-ion battery
Battery capacity	6800 mAh
Weight (g / lb.)	535 / 1.2
Battery life cycle	2000 usage cycles
AC charger	K6BR-A, charging time: 2 hr, input: 100-240 VAC / output: 12.6 V - 4 A
DC charger	K6BR-B, charging time: 3 hr input: 12-24 VDC; output:12.6 V - 3 A
Maintenance	
Lifespan of light source	10,000 Hours
Material	Aerospace-grade aluminum alloy housing with a HAIII military-grade hard-anodized finish

DIMENSIONS



CONTACT YOUR SALES REPRESENTATIVE TODAY



Contact Us
Complete a Contact Form

**WILL-BURT NORTH AMERICA
WORLD HEADQUARTERS**

401 Collins Boulevard, Orrville, OH USA 44667
Telephone: +1 330 682 7015
Mast Customer Service: +1 330 684 4000
Fax: +1 330 684 1190
Email: info@willburt.com

**WILL-BURT ASIA
SINGAPORE SALES OFFICE**

1 Fullerton Road, #02-01 One Fullerton,
Singapore 049213
Telephone: +65 6832 5689
Fax: +65 6722 0664 / Email: info@willburt.com

**INTEGRATED TOWER SYSTEMS
A WILL-BURT COMPANY**

2703 Dawson Road
Tulsa, OK 74110
Telephone: +1 800 850 8535
Fax: +1 918 749 8537
Email: programs@itstowers.com

**WILL-BURT
GERMANY**

Fischergasse 25
D-91344 Waischenfeld, Germany
Telephone: +49 9202 180
Fax: +49 9202 1811
Email: info@willburt.com

**WILL-BURT
TÜRKİYE**

Ahi Evran OSB Mahallesi,
Nahcivan Caddesi, No: 8/2, Sincan, Ankara 06935
Telephone: +90 535 662 9060 / Fax: +90 312 502 6970
Email: info@willburt.com

**WILL-BURT
UNITED KINGDOM**

Unit 5b, Station Approach
Four Marks, Alton Hampshire, GU34 5HN,
United Kingdom
Telephone: +44 (0) 1403 265532
Fax: +44 (0) 1403 259072 / Email: info@willburt.com

**CLARK MASTS
A WILL-BURT COMPANY**

18-20 Ringwood Road, Binstead, Isle of Wight, PO33 3PA, England
Telephone: +44 (0) 1983 563691/567090
Fax: +44 (0) 1983 566643/811157
E-mail: sales@clarkmasts.com

The Will-Burt Company, headquartered in Orrville, Ohio, USA, is the world's premier manufacturer of mobile telescoping masts, towers and pan and tilt positioners. We offer virtually every mobile payload elevation and integration solution for defense, government, first responders, cellular and mobile, broadcast, energy production and other markets. Will-Burt also offers contract manufacturing, metal fabrication, powder-coating, and rapid prototyping services. Will-Burt is an international company with offices and manufacturing in the USA, England, and Germany along with offices in Singapore and a joint venture in Turkey. All Will-Burt Company manufacturing locations are backed by a certified ISO 9001:2015 Quality Management System. Incorporated in 1918, Will-Burt is 100% employee-owned and is classified as a small business.