

# Will-Burt Product Service Bulletin

Night Scan HDT Vertical Product Line  
Safety Valve and Drain Cock

Bulletin #0110  
June 29, 2021

Product Market Segment	Product Line	Models Affected
Commercial / Towing	Lighting	Night Scan HDT Vertical shipped before 6/23/2021

## Description of the Problem:

The Night Scan HDT Vertical light tower manual advises that a safety valve and drain cock be installed on all Night Scan HDT Vertical light towers. The manual also indicates that these items are supplied with the mast when purchased.

Upon reviewing the material lists of the Night Scan HDT Vertical light towers, it has been determined that Night Scan HDT Verticals shipped before June 23, 2021 were not supplied with the safety valve and drain cock.

## Corrective Actions:

1. Inspect your NS HDT Vertical light tower for proper installation. An Operator Manual with installation instructions may be found at our website [www.willburt.com](http://www.willburt.com). You may also contact one of our Customer Service Representatives at (330) 684-4000 for assistance.
2. If you determine that the safety valve and drain cock have not been installed on your NS HDT Vertical light tower, immediately remove the light tower from service until repairs have been made to ensure proper installation.
3. If your NS HDT Vertical light tower is missing the safety valve and drain cock, and you would like us to send a replacement to you, please contact a Customer Service Representative at (330) 684-4000 or email [info@willburt.com](mailto:info@willburt.com). Please have your serial number available when contacting us. Will-Burt will then send out the following parts to you.

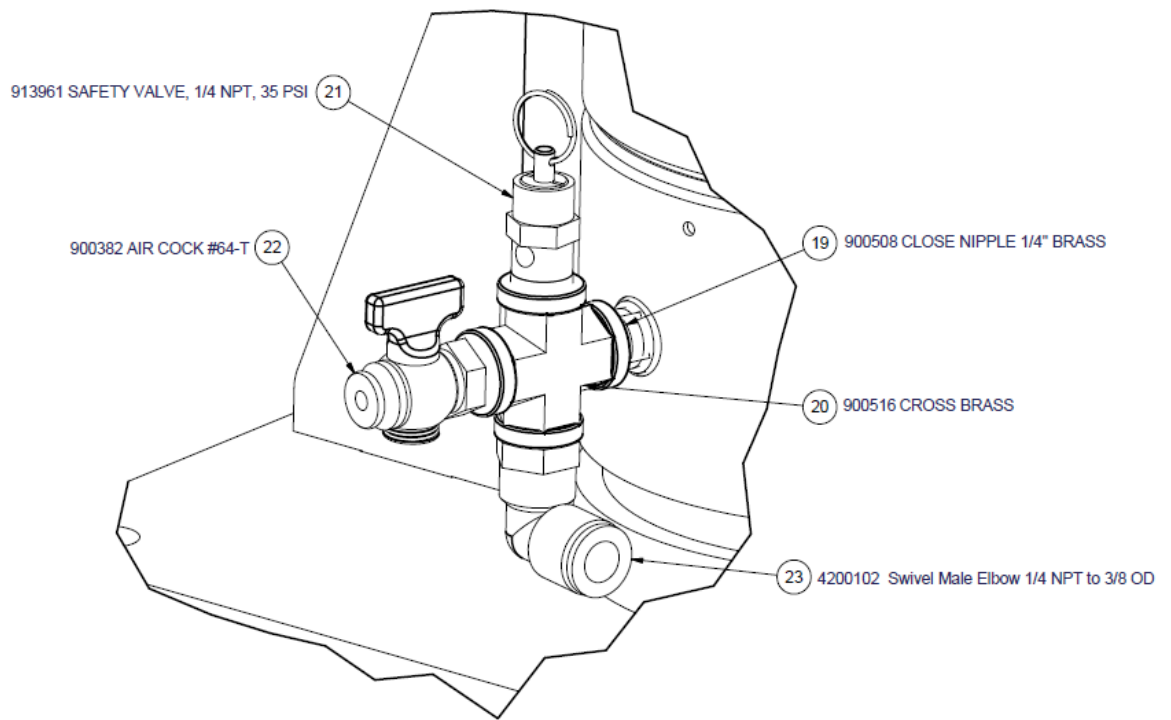
1 piece 900508 CLOSE NIPPLE 1/4" BRASS

1 piece 900516 CROSS BRASS

1 piece 913961 SAFETY VALVE, 1/4 NPT, 35 PSI

1 piece 900382 AIR COCK #64-T

1 piece 4200102 Swivel Male Elbow ¼ NPT to 3/8 OD



4. Ensure all items have been properly installed before returning your NS HDT Vertical light tower to service.