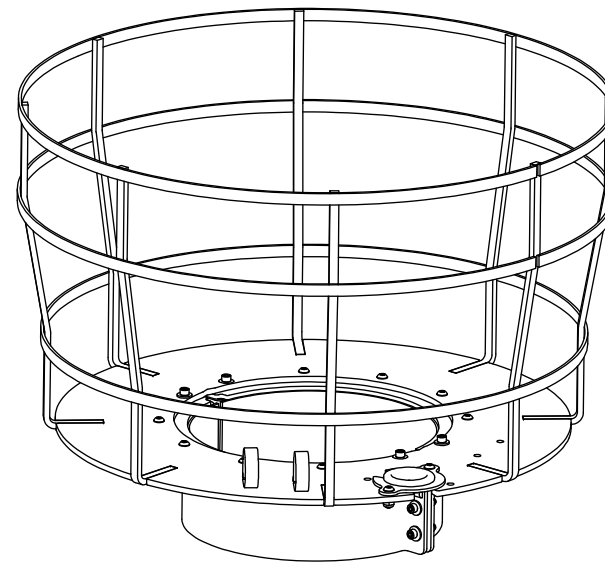
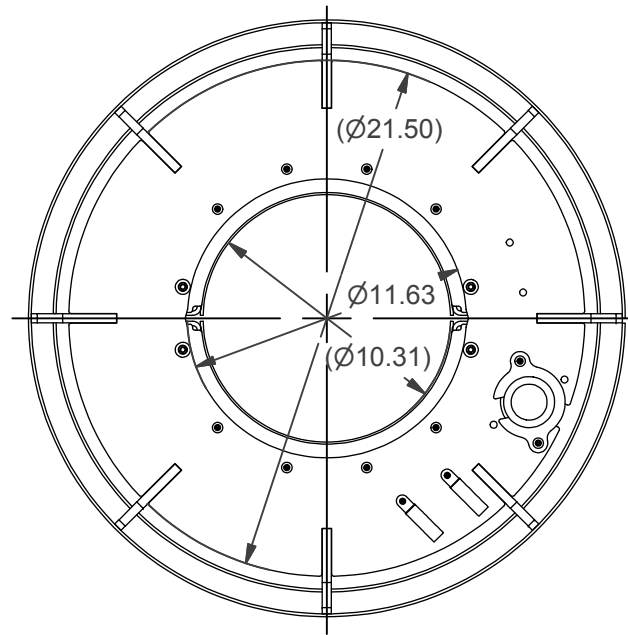
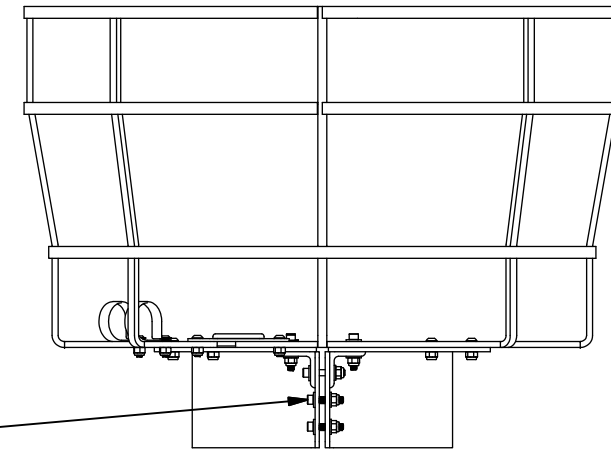
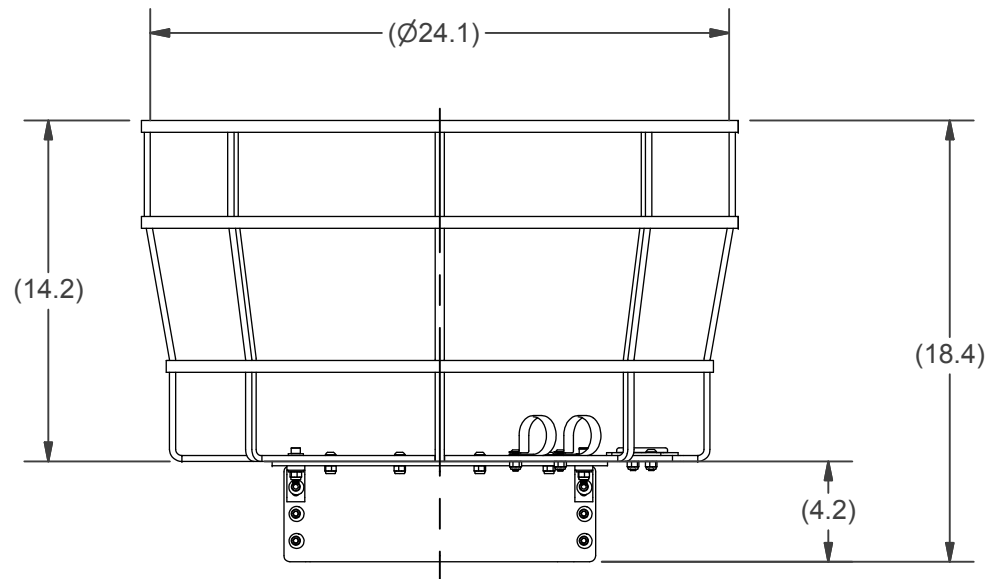


CUSTOMER INTERFACE DRAWING:
 ECN: 13623 - REV. B - RELEASE DATE: 5-19-2017



PART NUMBER	COLOR
4880101	BLACK (HARDCOAT & POWDER COAT)
4880102	POLANE RAL 6014 W/BLK HARDWARE
4880103	POLANE DESERT TAN #33446





FINAL ASSEMBLY BY CUSTOMER:
 TORQUE 65 ± 5 LBS. IN.
 ALL SCREWS

APPLICATION NOTES:

BASKET WEIGHT: 30 LBS

10M STILETTO Ø1.25 NYCOIL 30 FT. LONG
 REF. P/N: 811374 - 1.25 I.D. - BLACK

MATERIAL (STL. & AL. CONSTRUCTION)	UNLESS OTHERWISE SPECIFIED DIMENSIONS ARE IN INCHES. TOLERANCES ON DECIMALS ANGLES 0 = ± 0.030 ± 1/2° 00 = ± 0.010 000 = ± 0.005 FRACTIONAL ± 1/64"	PROPRIETARY AND CONFIDENTIAL THE INFORMATION CONTAINED IN THIS DRAWING IS THE SOLE PROPERTY OF THE WILL-BURT COMPANY ANY REPRODUCTION IN PART OR WHOLE WITHOUT THE WRITTEN PERMISSION OF THE WILL-BURT COMPANY IS PROHIBITED.		 AN EMPLOYEE OWNED COMPANY ORRVILLE, OH	
		FINISH SEE TABLE	1. ALL INSIDE EDGES TO HAVE .005" TO .035" FILLETS. 2. ALL OUTSIDE EDGES TO HAVE .005" TO .015" CHAMFER OR RADIUS. 125° ON ALL MACHINED SURFACES	APPROVALS DATE DRAWN kvandegrift 12/4/2012 CHECKED	
APPROX. WT: 29.8 lbmass		SIZE B	DWG NO 48801	REV B	
THIRD ANGLE PROJECTION 		PN: SEE TABLE	SHEET 1 OF 2		