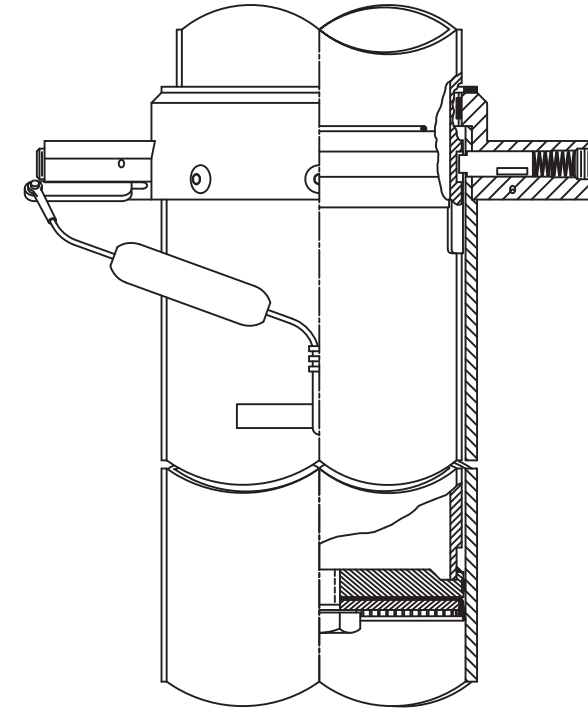
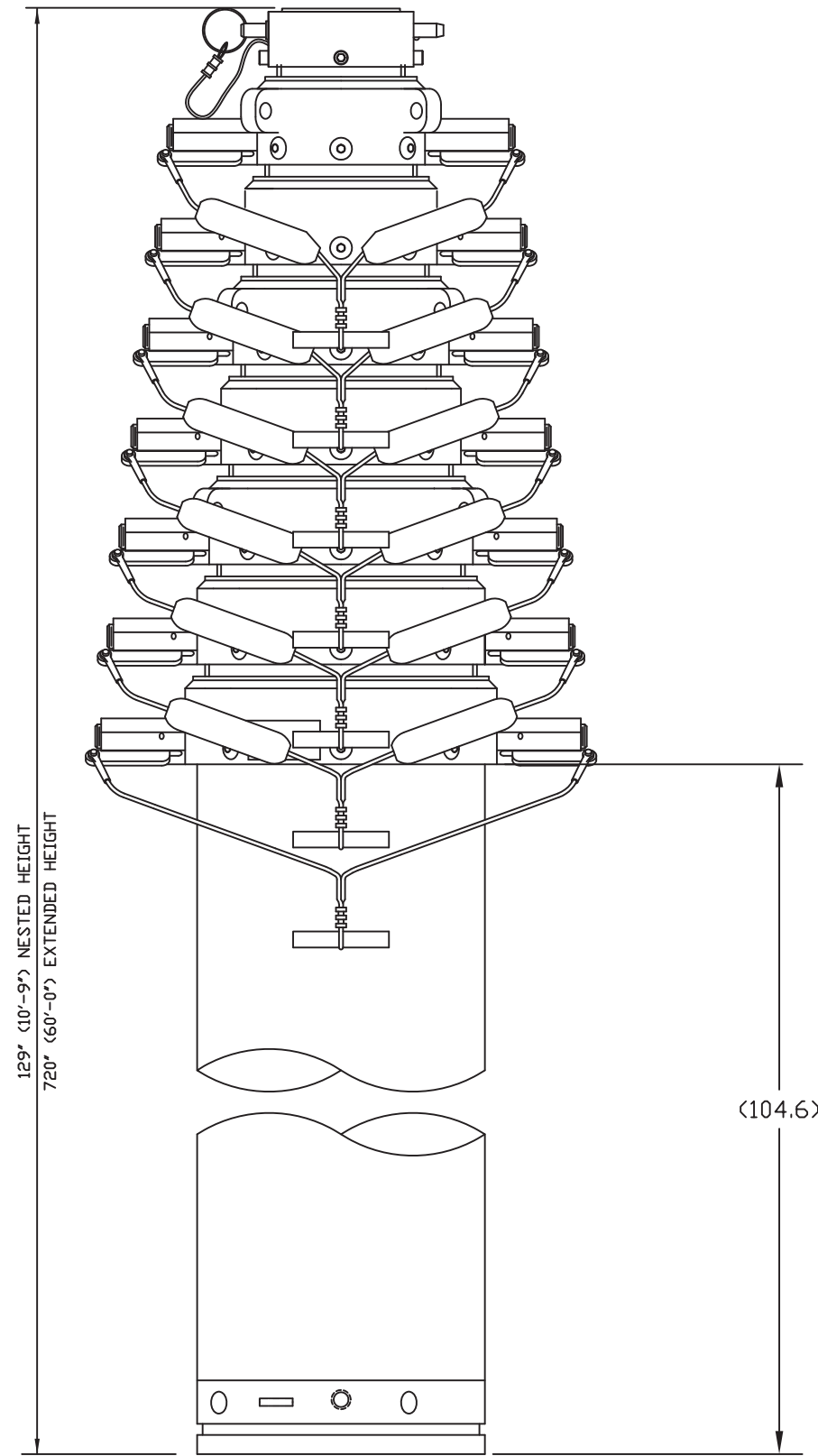



REVISIONS				
ECN	REV	DESCRIPTION	DATE	BY/APPROVAL
9664	00	NEW RELEASE	9/18/09	JFK/
9827	A	SEE ECN	2/3/2010	AW/
10124	B	SEE ECN	7/22/10	MS/



MATERIAL SEE BOM ABOVE	UNLESS OTHERWISE SPECIFIED DIMENSIONS ARE IN INCHES TOLERANCES ON: DECIMALS ANGLES 0 = ± ± 1/2° 00 = ± 000 = ± FRACTIONS ± BREAK ALL SHARP CORNERS 125° ON ALL MACHINED SURFACES	THIS DOCUMENT CONTAINS PROPRIETARY INFORMATION AND SHALL NOT BE USED OR REPRODUCED OR ITS CONTENTS DISCLOSED IN WHOLE OR IN PART, WITHOUT THE PRIOR WRITTEN CONSENT OF THE WILL-BURT COMPANY.	 AN EMPLOYEE OWNED COMPANY ORRVILLE, OHIO WILLBURT		
			SIGNATURE	DATE	NEXT ASS'Y DESC.
FINISH REFERENCE: LUKON 24 PER MIL-A-8625 TYPE III CLASS 1			DR. BY JFK	9/18/09	10.3-60-668 SHDL
			CK. BY		SIZE DWG. No. B 710606040
			APP. BY		SCALE: N/A 710606040 SHEET 1 OF 1