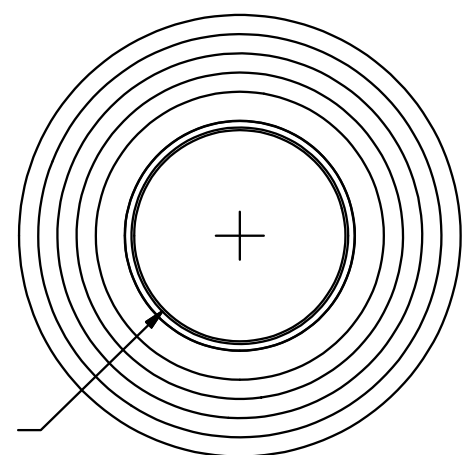
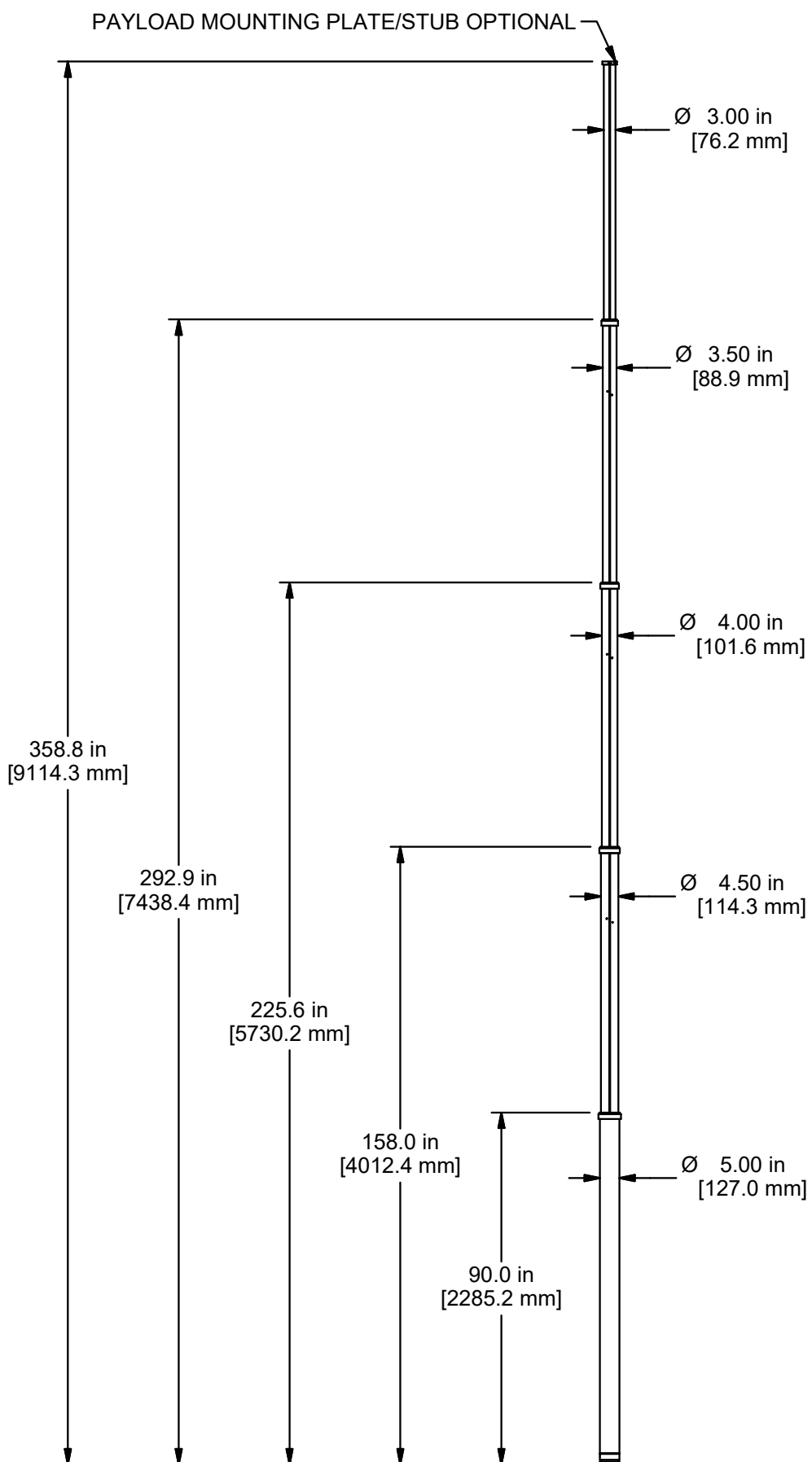
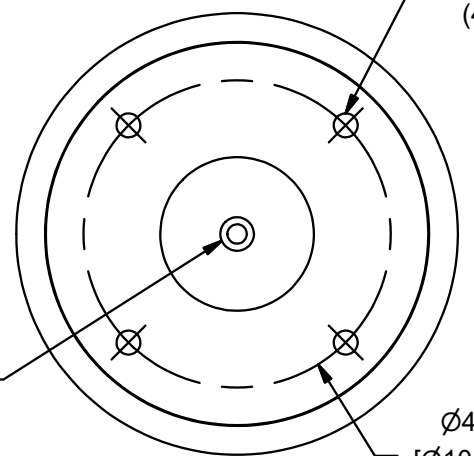


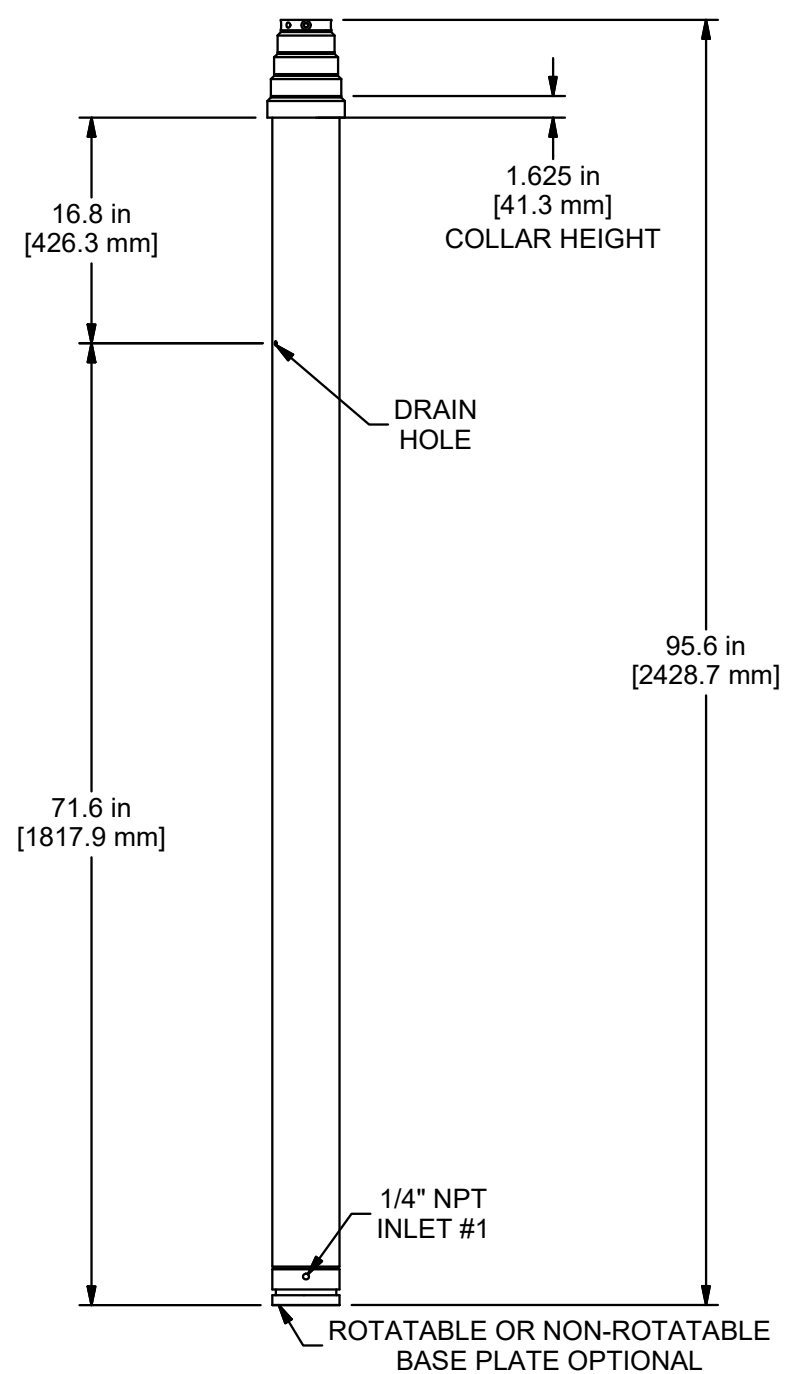
8-30' STANDARD DUTY NON-LOCKING MAST



VIEW A-A



VIEW B-B



- 1 ALL DIMENSIONS APPLY WITHOUT MOUNTING ACCESSORIES
- 2 ADDITIONAL MAST SURFACE FINISHES OPTIONAL

MATERIAL:	PROPRIETARY AND CONFIDENTIAL THE INFORMATION CONTAINED IN THIS DRAWING IS THE SOLE PROPERTY OF THE WILL-BURT COMPANY ANY REPRODUCTION IN PART OR WHOLE WITHOUT THE WRITTEN PERMISSION OF THE WILL-BURT COMPANY IS PROHIBITED. UNLESS OTHERWISE SPECIFIED DIMENSIONS ARE IN INCHES THIRD ANGLE PROJECTION	W3 AN EMPLOYEE OWNED COMPANY WILL-BURT ORRVILLE, OH		
FINISH:		TITLE: PNEU MAST 8-30 STDNL CLR ADZ CE CUSTOMER DRAWING		
CLEAR ANODIZE		P/N: 906027	DATE: 7/6/2017	DRAWN BY: CJY
DRAWING NOT TO SCALE		APPROXIMATE WEIGHT: 64 LB	TUBE SET: Ø3.00" - Ø5.00"	REV F
ALL DIMENSIONS AND PERFORMANCE PARAMETERS ARE PROVIDED FOR REFERENCE ONLY AND ARE SUBJECT TO CHANGE WITHOUT NOTICE.				