

VIEW A-A
BASE MOUNTING RING

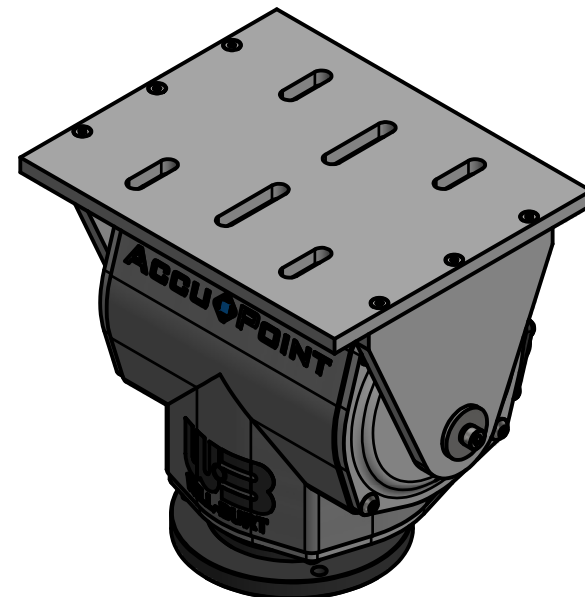


TABLE	
SPECIFICATION	VALUE
PAN GEAR BOX SPEED (MAX)	24°/sec
TILT GEAR BOX SPEED (MAX)	6°/sec
MAX LOAD	8 ft-lb
PAN RANGE	±180°
TILT RANGE	+90° / -45°
BACKLASH	0.15°
REPEATABILITY	< 0.3°
INGRESS PROTECTION	IP68
TEMPERATURE RANGE	-20°C to +50°C
POWER INPUT	24VDC (Standard)
MAX CURRENT DRAW	0.85 A
PROTOCOL	PELCO D
ABSOLUTE POSITIONING	YES
POSITIONAL FEEDBACK	YES
APPLICATION	STATIC

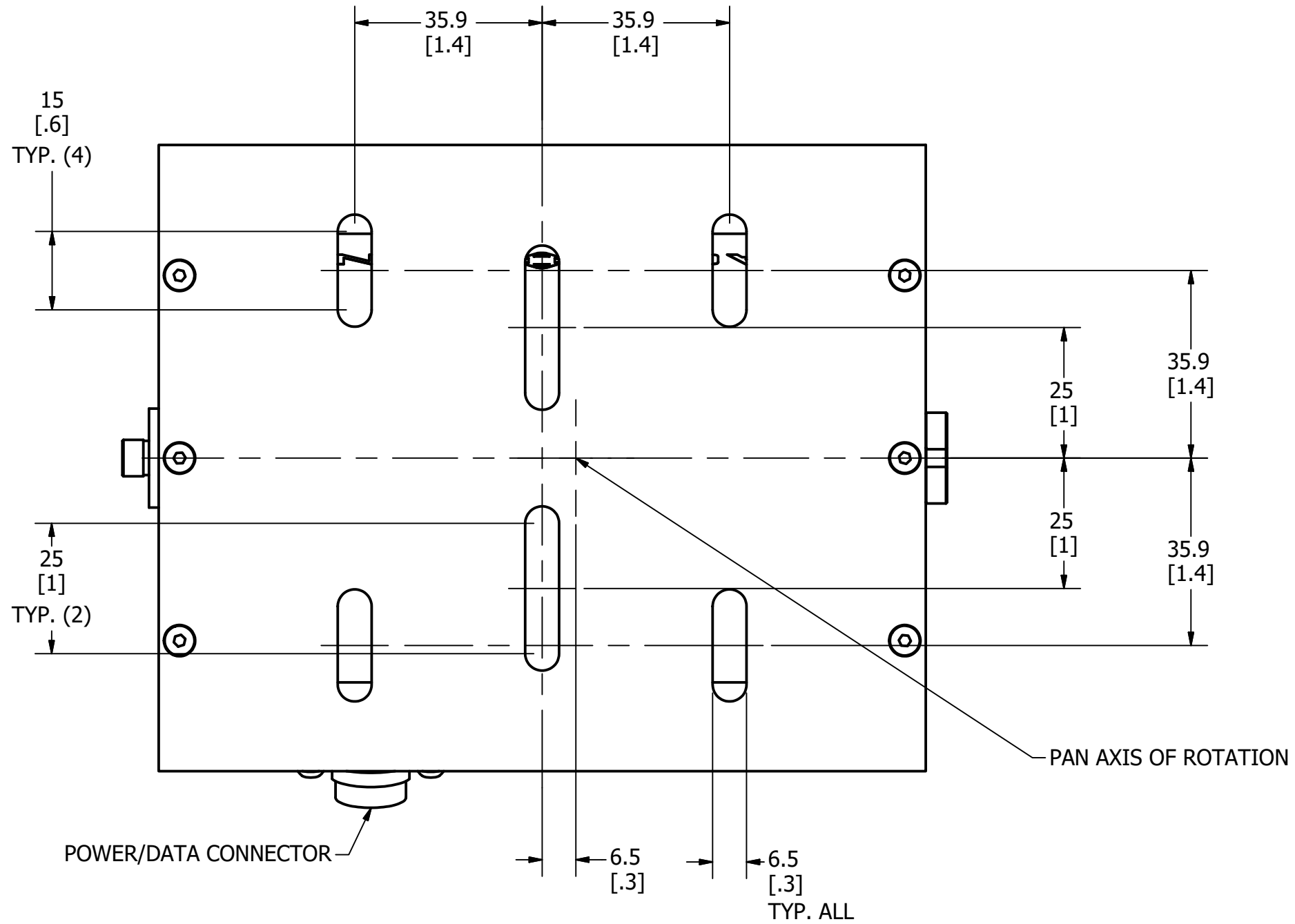
TABLE	
PART NUMBER	PAINT COLOR
LF251TXXXXRX2-00	GOOSE GREY
LF251TXXXXRX2-01	JET BLACK
LF251TXXXXRX2-02	WHITE

MATERIAL ALUMINIUM BODY & SSTL HARDWARE	UNLESS OTHERWISE SPECIFIED DIMENSIONS ARE IN MILLIMETERS [ALTERNATE UNITS IN INCHES]	PROPRIETARY AND CONFIDENTIAL THE INFORMATION CONTAINED IN THIS DRAWING IS THE SOLE PROPERTY OF THE WILL-BURT COMPANY. ANY REPRODUCTION IN PART OR WHOLE WITHOUT THE WRITTEN PERMISSION OF THE WILL-BURT COMPANY IS PROHIBITED.		AN EMPLOYEE OWNED COMPANY ORRVILLE, OH TITLE CUSTOMER DRAWING AP-8, 24/6, OTT, 24vDC							
FINISH SEE TABLE	ALL DIMENSIONS AND PERFORMANCE PARAMETERS ARE PROVIDED FOR REFERENCE ONLY AND ARE SUBJECT TO CHANGE WITHOUT NOTICE.	<table border="1"> <tr> <th>APPROVALS</th> <th>DATE</th> </tr> <tr> <td>DRAWN AD</td> <td>14/06/2022</td> </tr> <tr> <td>CHECKED AH</td> <td>23/09/2022</td> </tr> </table>		APPROVALS	DATE	DRAWN AD	14/06/2022	CHECKED AH	23/09/2022	SIZE DWG NO A3 LF251TXXXXRX2	REV 4
APPROVALS	DATE										
DRAWN AD	14/06/2022										
CHECKED AH	23/09/2022										
APPROX. WT: 2.3kg [5.07 lb]	ALTERNATIVE FINISH OPTIONS AVAILABLE UPON REQUEST	SCALE: NONE		PN LF251TXXXXRX2	SHEET 2 OF 3						

PAYLOAD MOUNTING PLATE
SCALE 1 TO 1

FRONT

CUSTOMER DRAWING 2 OF 2



BACK

PAYLOAD MOUNTING PLATE
PATTERN DESIGN FOR 4 INCH PCD

MATERIAL ALUMINIUM BODY & SSTL HARDWARE		UNLESS OTHERWISE SPECIFIED DIMENSIONS ARE IN MILLIMETERS [ALTERNATE UNITS IN INCHES]		PROPRIETARY AND CONFIDENTIAL THE INFORMATION CONTAINED IN THIS DRAWING IS THE SOLE PROPERTY OF THE WILL-BURT COMPANY. ANY REPRODUCTION IN PART OR WHOLE WITHOUT THE WRITTEN PERMISSION OF THE WILL-BURT COMPANY IS PROHIBITED.		WILL-BURT AN EMPLOYEE OWNED COMPANY ORRVILLE, OH		
FINISH SEE TABLE		ALL DIMENSIONS AND PERFORMANCE PARAMETERS ARE PROVIDED FOR REFERENCE ONLY AND ARE SUBJECT TO CHANGE WITHOUT NOTICE.		APPROVALS DRAWN AD 14/06/2022 CHECKED AH 23/09/2022		TITLE CUSTOMER DRAWING AP-8, 24/6, OTT, 24vDC		
APPROX. WT: 2.3kg [5.07 lb] THIRD ANGLE PROJECTION		ALTERNATIVE FINISH OPTIONS AVAILABLE UPON REQUEST		DATE 23/09/2022 SCALE: NONE		SIZE A3	DWG NO LF251TXXXXRX2	REV 4
						PN LF251TXXXXRX2		SHEET 3 OF 3