

REVISION HISTORY				
ECN	REV	DESCRIPTION	DATE	APPROVED
12743	00	INITIAL RELEASE	5/27/2014	RCC

NOTE:
 1 SEE SHEET 2 FOR WIRING OF LIGHTS.

BOM			
ITEM	QTY	PART NUMBER	DESCRIPTION
1	1	4936101	VRT BASE ASM, 2.3 STD
2	1	4548301	NSC RCP, LIGHTS ONLY
3	1	4597202	LED 600W (4 X 150) WHL LIGHT KIT 12V FLD
4	1	4937301	SADDLE, NS COMPLETE
5	1	4938701	CARTON W/FOAM FOR VRT7.5 STD
6	1	4938702	PALLET/ VRT7.5 STD

APPROX. WT:101.9 lbmass
 THIRD ANGLE PROJECTION

UNLESS OTHERWISE SPECIFIED
 DIMENSIONS ARE IN INCHES.
 TOLERANCES ON DECIMALS ANGLES
 0 = ± 0.030 ± 1/2°
 00 = ± 0.010
 000 = ± 0.005
 FRACTIONAL ± 1/64"
 1. ALL INSIDE EDGES TO HAVE
 .005" TO .035" FILLETS.
 2. ALL OUTSIDE EDGES TO HAVE
 .005" TO .015" CHAMFER OR RADIUS.
 125° ON ALL MACHINED SURFACES

PROPRIETARY AND CONFIDENTIAL
 THE INFORMATION CONTAINED IN THIS
 DRAWING IS THE SOLE PROPERTY OF THE
 WILL-BURT COMPANY ANY
 REPRODUCTION IN PART OR WHOLE
 WITHOUT THE WRITTEN PERMISSION OF
 THE WILL-BURT COMPANY IS PROHIBITED.

APPROVALS	DATE
DRAWN RCC	5/6/2014
CHECKED	

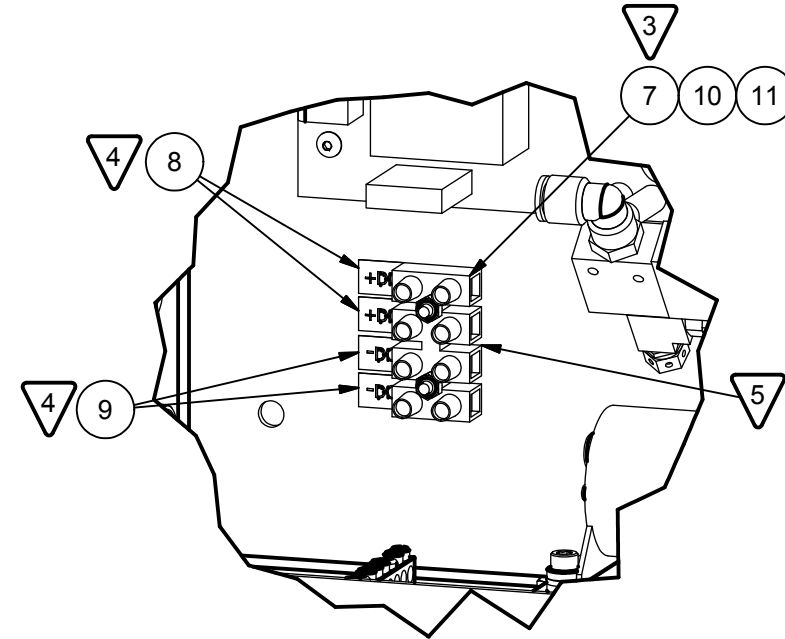
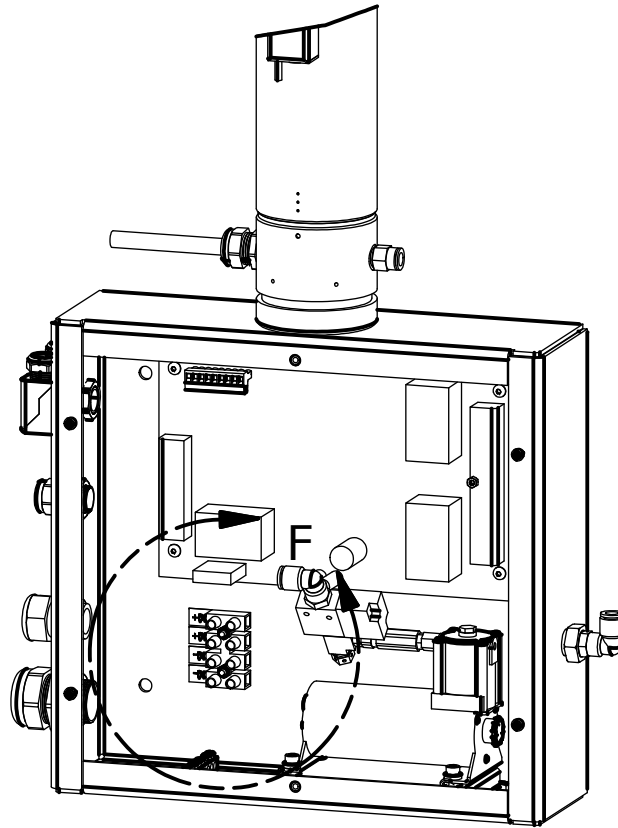
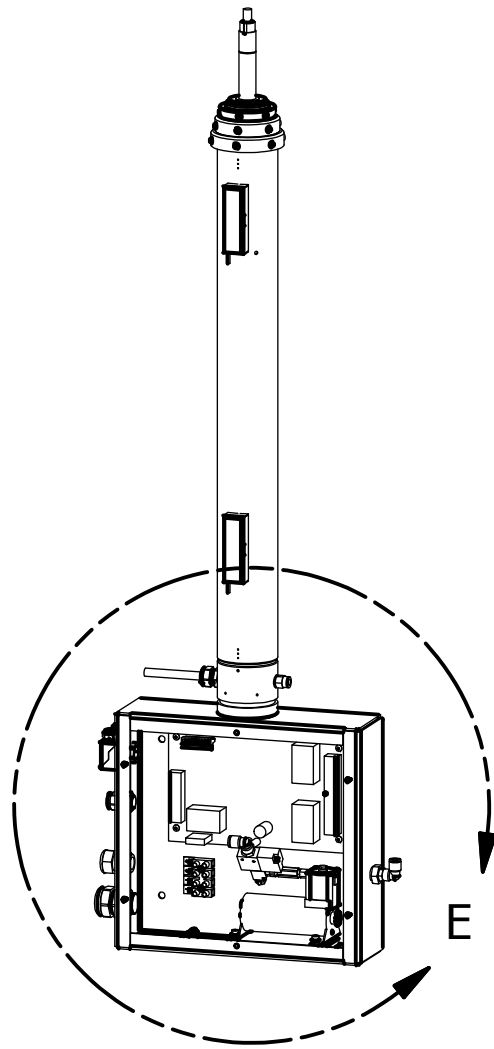
WILL-BURT AN EMPLOYEE OWNED COMPANY
 ORRVILLE, OH

TITLE
**VRT-7.5 ASM 600W (4X150W)
 WHL 12DC FLD/FLD**

SIZE	DWG NO	REV
B	720088050	00

PN: 720088050 SHEET 1 OF 2

ALTERNATE LIGHT WIRING FOR 600W 12VDC LIGHTS



DETAIL E

DETAIL F

NOTES:

- 2 ITEM P/N 4965102 SHOULD BE RETURNED TO INVENTORY.
- 3 MUST MATCH DRILL (2) Ø11/64 HOLES FOR SCREWS
- 4 ENGINEERING WILL PROVIDE LABELS
- 5 WIRE THE SAME AS 4965102.

Table			
ITEM	QTY	PART NUMBER	DESCRIPTION
7	1	000015-043-001	Terminal Strip 4 Type-20 E
8	2	SEE ENGINEERING	LABEL POS DC POS
9	2	SEE ENGINEERING	LABEL POS DC NEG
10	2	3363	SCR MCH #8-32X1.000 RD HD SL SSTL
11	2	3477	NUT NYLOCK #8-32 HX JAM 18-8 SSTL

UNLESS OTHERWISE SPECIFIED
DIMENSIONS ARE IN INCHES.

TOLERANCES ON DECIMALS ANGLES
 0 = ± 0.030 ± 1/2°
 00 = ± 0.010
 000 = ± 0.005
 FRACTIONAL ± 1/64"

1. ALL INSIDE EDGES TO HAVE
.005" TO .035" FILLETS.
 2. ALL OUTSIDE EDGES TO HAVE
.005" TO .015" CHAMFER OR RADIUS.

125° ON ALL MACHINED SURFACES

PROPRIETARY AND CONFIDENTIAL

THE INFORMATION CONTAINED IN THIS DRAWING IS THE SOLE PROPERTY OF THE WILL-BURT COMPANY ANY REPRODUCTION IN PART OR WHOLE WITHOUT THE WRITTEN PERMISSION OF THE WILL-BURT COMPANY IS PROHIBITED.

WILL-BURT AN EMPLOYEE OWNED COMPANY
ORRVILLE, OH

TITLE
VRT BASE ASM, 2.3 STD

APPROX. WT:31.2 lbmass

THIRD ANGLE PROJECTION



APPROVALS	DATE
DRAWN RCC	5/6/2014
CHECKED	

SIZE	DWG NO	REV
B	720088050	00
PN: 4936101		SHEET 2 OF 2