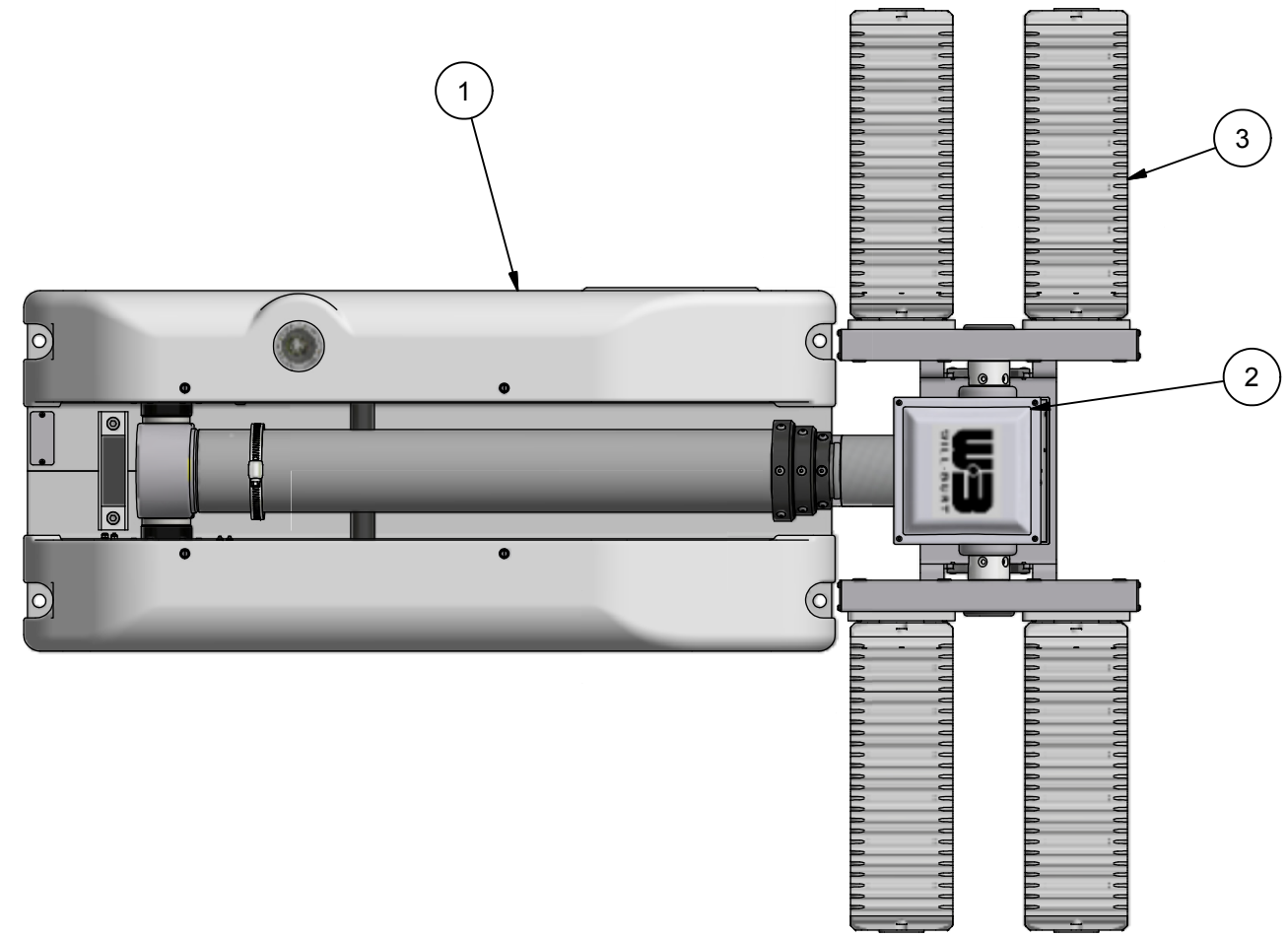





REVISION HISTORY				
ECN	REV	DESCRIPTION	DATE	APPROVED
12152	00	NEW RELEASE	5/2/2014	RCC
12580	A	CHANGED NOTE TWO TO REFERENCE DRAWING WD-46276	3/31/2015	KWBH



- NOTES:
-  APPLY RTV #739 OR EQUAL TO ALL OPEN HOLES.
 -  SEE WIRING DIAGRAM WD-46276 FOR ALL UNITS.
 -  SET LIGHT BARS HOME POSITION PARALLEL TO BASE PLATE WHEN STOWED.

BOM			
ITEM	QTY	PART NUMBER	DESCRIPTION
1	1	4522003	NSC BASE ASSEMBLY 6.0 WHITE
2	1	4548301	NSC RCP, LIGHTS ONLY
3	1	5048201	KIT, LIGHT NS XL LED 500W 4 X 125 12/60VDC
4	1	4584001	FILLER, CORRUGATED 9.0 X 14.5 X 6.0
5	1	4558901	NSC LABEL KIT (NOT SHOWN)
6	1	TP-4602001	MANUAL, NS 1.8/2.3, CE, CD VERSION (NOT SHOWN)

UNLESS OTHERWISE SPECIFIED DIMENSIONS ARE IN INCHES.

TOLERANCES ON DECIMALS ANGLES
 0 = ± 0.030 ± 1/2°
 00 = ± 0.010
 000 = ± 0.005


FRACTIONAL ± 1/64"

1. ALL INSIDE EDGES TO HAVE .005" TO .035" FILLETS.
 2. ALL OUTSIDE EDGES TO HAVE .005" TO .015" CHAMFER OR RADIUS.

125/ON ALL MACHINED SURFACES

APPROX. WT:118.1 lbmass

THIRD ANGLE PROJECTION



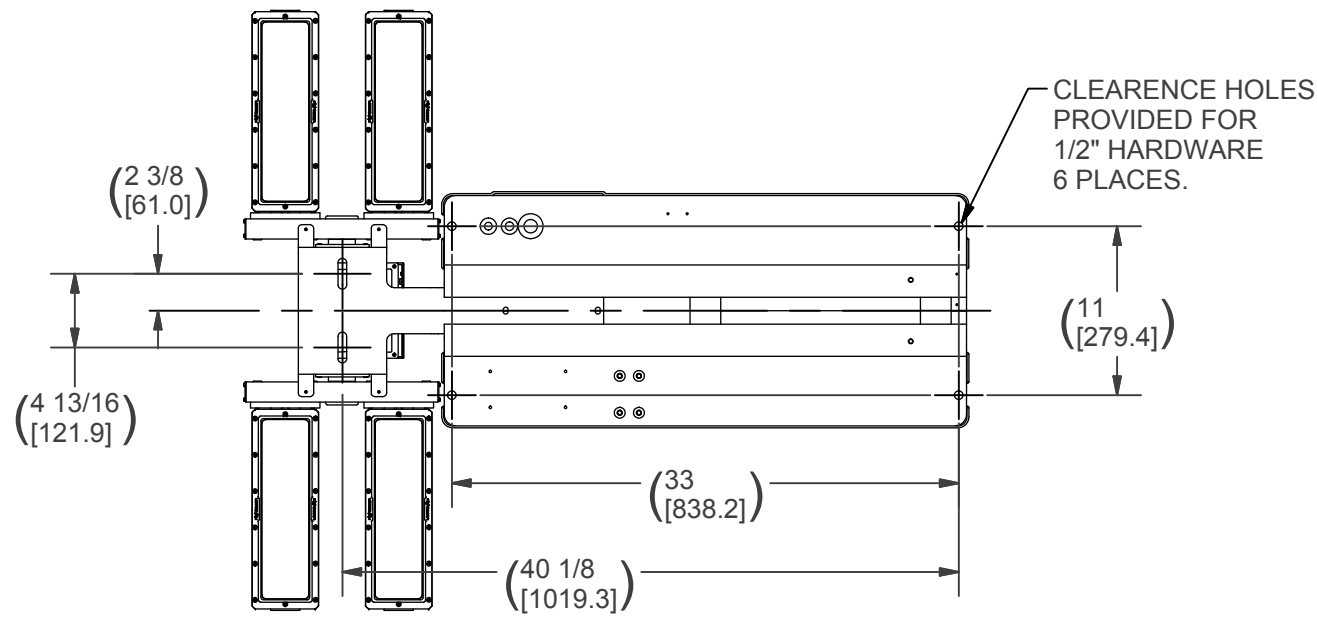
PROPRIETARY AND CONFIDENTIAL
 THE INFORMATION CONTAINED IN THIS DRAWING IS THE SOLE PROPERTY OF THE WILL-BURT COMPANY ANY REPRODUCTION IN PART OR WHOLE WITHOUT THE WRITTEN PERMISSION OF THE WILL-BURT COMPANY IS PROHIBITED.

APPROVALS	DATE
DRAWN RCC	5/2/2014
CHECKED	

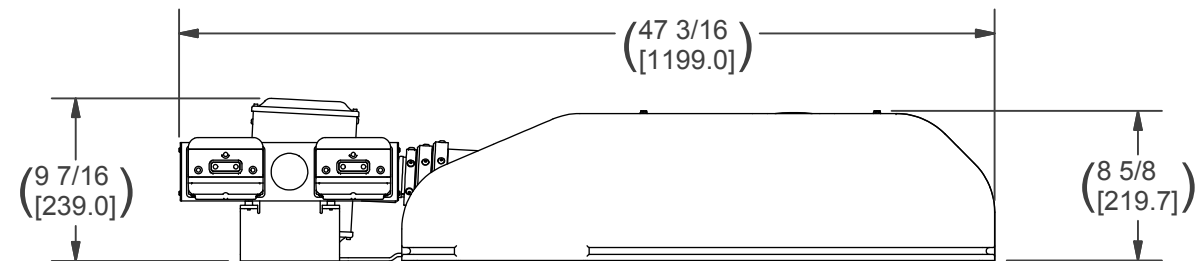
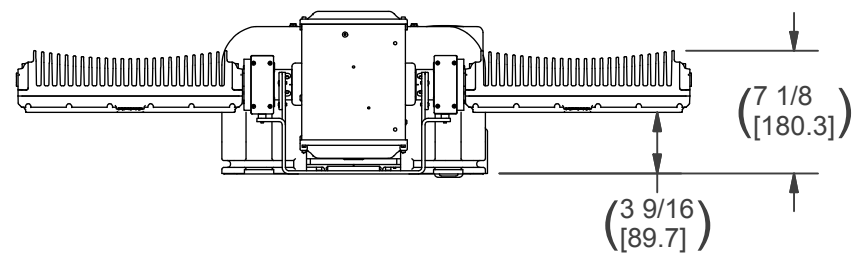
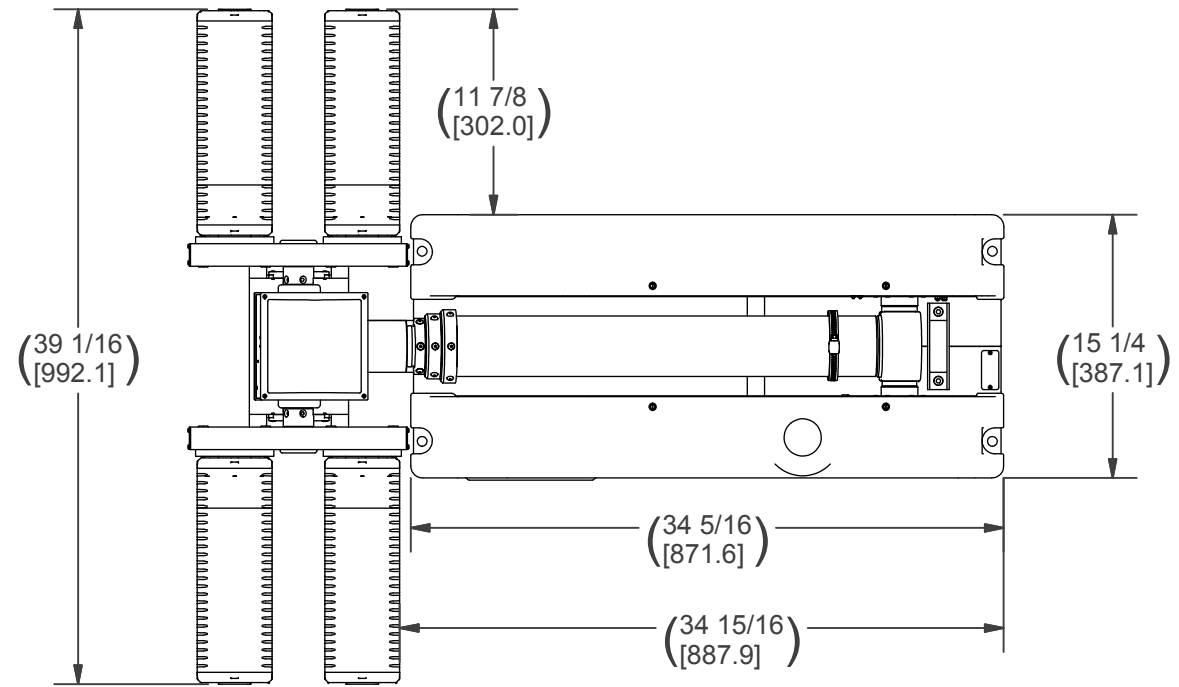
W.B. AN EMPLOYEE OWNED COMPANY
 WILL-BURT ORRVILLE, OH

TITLE
**NS 1.8 500 4X125W
 NS-XL 12/60 WHT**

SIZE B	DWG NO 720600121	REV A
PN: 720600121	SHEET 1 OF 2	



MOUNTING (BOLT PATTERN)
(BOTTOM VIEW)



NOTES:
PRIMARY DIMENSIONS INCHES
SECONDARY DIMENSIONS MILLIMETERS.

APPROX. WT:118.1 lbmass

THIRD ANGLE PROJECTION



UNLESS OTHERWISE SPECIFIED
DIMENSIONS ARE IN INCHES.
TOLERANCES ON DECIMALS ANGLES
0 = ± 0.030 ± 1/2'
00 = ± 0.010
000 = ± 0.005
FRACTIONAL ± 1/64"
1. ALL INSIDE EDGES TO HAVE
.005" TO .035" FILLETS.
2. ALL OUTSIDE EDGES TO HAVE
.005" TO .015" CHAMFER OR RADIUS.
125° ON ALL MACHINED SURFACES

PROPRIETARY AND CONFIDENTIAL
THE INFORMATION CONTAINED IN THIS
DRAWING IS THE SOLE PROPERTY OF THE
WILL-BURT COMPANY ANY REPRODUCTION
IN PART OR WHOLE WITHOUT THE WRITTEN
PERMISSION OF THE WILL-BURT COMPANY IS
PROHIBITED.

WB AN EMPLOYEE OWNED COMPANY
WILL-BURT ORRVILLE, OH

TITLE
NS 1.8 500 4X125W
NS-XL 12/60 WHT

APPROVALS	DATE
DRAWN RCC	5/2/2014
CHECKED	

SIZE B	DWG NO 720600121	REV A
PN: 720600121	SHEET 2 OF 2	

ALL SPECIFICATIONS SUBJECT TO CHANGE WITHOUT NOTICE.