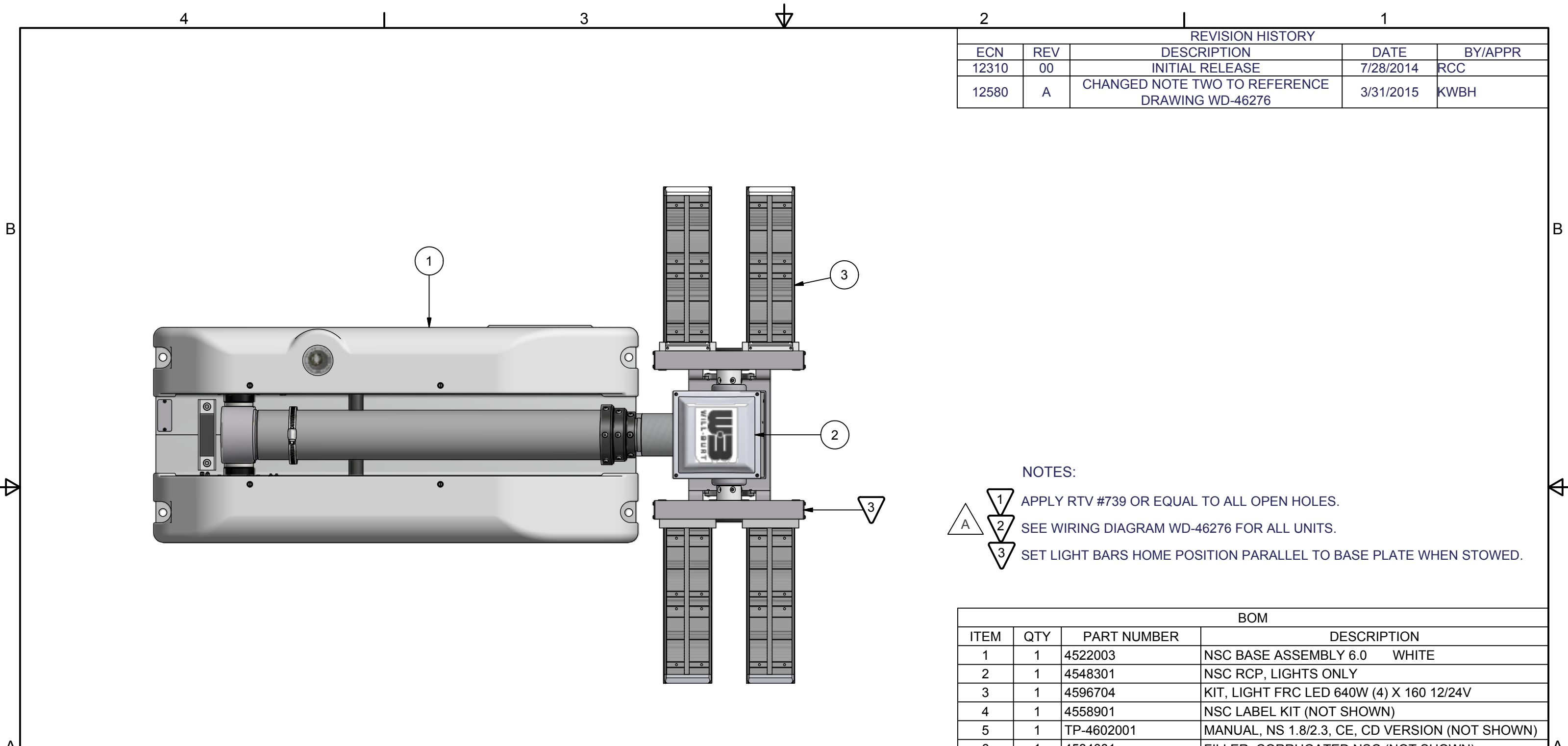
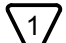




REVISION HISTORY				
ECN	REV	DESCRIPTION	DATE	BY/APPR
12310	00	INITIAL RELEASE	7/28/2014	RCC
12580	A	CHANGED NOTE TWO TO REFERENCE DRAWING WD-46276	3/31/2015	KWBH



NOTES:

-  APPLY RTV #739 OR EQUAL TO ALL OPEN HOLES.
-  SEE WIRING DIAGRAM WD-46276 FOR ALL UNITS.
-  SET LIGHT BARS HOME POSITION PARALLEL TO BASE PLATE WHEN STOWED.

BOM			
ITEM	QTY	PART NUMBER	DESCRIPTION
1	1	4522003	NSC BASE ASSEMBLY 6.0 WHITE
2	1	4548301	NSC RCP, LIGHTS ONLY
3	1	4596704	KIT, LIGHT FRC LED 640W (4) X 160 12/24V
4	1	4558901	NSC LABEL KIT (NOT SHOWN)
5	1	TP-4602001	MANUAL, NS 1.8/2.3, CE, CD VERSION (NOT SHOWN)
6	1	4584001	FILLER, CORRUGATED NSC (NOT SHOWN)

UNLESS OTHERWISE SPECIFIED DIMENSIONS ARE IN INCHES.  
 TOLERANCES ON DECIMALS    ANGLES  
 0 ± 0.030                      ± 1/2°  
 00 ± 0.010  
 000 ± 0.005  
 FRACTIONAL ± 1/64"  
 1. ALL INSIDE EDGES TO HAVE .005" TO .035" FILLETS.  
 2. ALL OUTSIDE EDGES TO HAVE .005" TO .015" CHAMFER OR RADIUS.  
 125° ON ALL MACHINED SURFACES

APPROX. WT:N/A  
 THIRD ANGLE PROJECTION

**PROPRIETARY AND CONFIDENTIAL**  
 THE INFORMATION CONTAINED IN THIS DRAWING IS THE SOLE PROPERTY OF THE WILL-BURT COMPANY ANY REPRODUCTION IN PART OR WHOLE WITHOUT THE WRITTEN PERMISSION OF THE WILL-BURT COMPANY IS PROHIBITED.

**W.B. WILL-BURT** AN EMPLOYEE OWNED COMPANY  
 ORRVILLE, OH

TITLE  
**NS 1.8-640-4 LED 12VDC-FRC**

APPROVALS	DATE	SIZE	DWG NO	REV
DRAWN RCC	7/28/2014	B	720611642	A
CHECKED		PN:	720611642	SHEET 1 OF 2