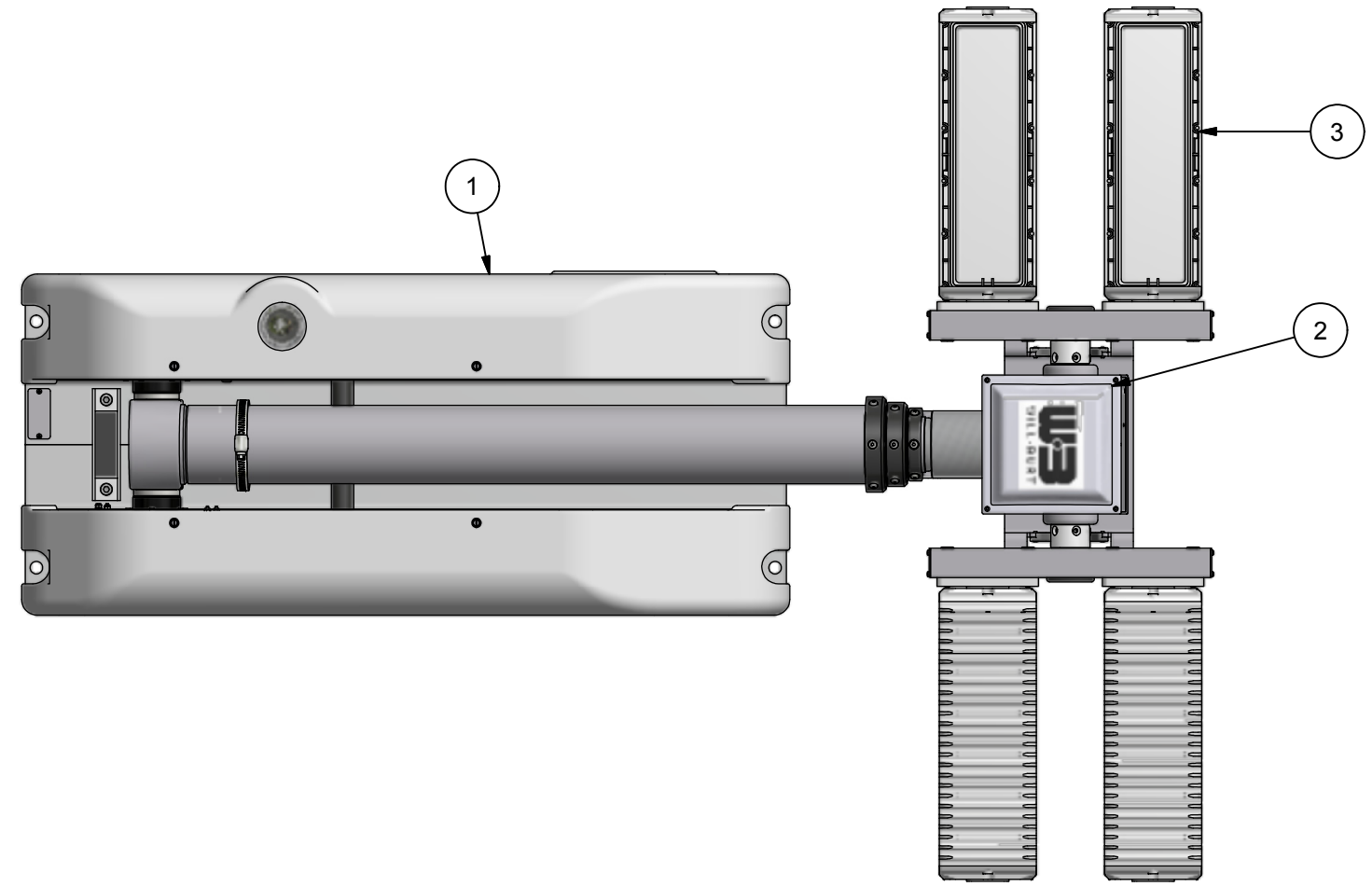


REVISION HISTORY				
ECN	REV	DESCRIPTION	DATE	APPROVED
12152	00	NEW RELEASE	5/5/2014	RCC



- NOTES:
- 1 APPLY RTV #739 OR EQUAL TO ALL OPEN HOLES.
 - 2 SEE WIRING DIAGRAM 46066 FOR ALL UNITS.
 - 3 SET LIGHT BARS HOME POSITION PARALLEL TO BASE PLATE WHEN STOWED.

BOM				
ITEM	QTY	PART NUMBER	DESCRIPTION	
1	1	4522001	BASE ASSEMBLY, 7.5 CLR	
2	1	4548301	NSC RCP, LIGHTS ONLY	
3	1	5048201	KIT, LIGHT NS XL LED 500W 4X125 12/24VDC	
4	1	4558901	NSC LABEL KIT (NOT SHOWN)	
5	1	TP-4602001	MANUAL, NS 1.8/2.3, CE, CD VERSION (NOT SHOWN)	

UNLESS OTHERWISE SPECIFIED
DIMENSIONS ARE IN INCHES.

TOLERANCES ON DECIMALS ANGLES
 0 = ± 0.030 ± 1/2°
 00 = ± 0.010
 000 = ± 0.005

FRACTIONAL ± 1/64"

1. ALL INSIDE EDGES TO HAVE
.005" TO .035" FILLETS.
 2. ALL OUTSIDE EDGES TO HAVE
.005" TO .015" CHAMFER OR RADIUS.

125° ON ALL MACHINED SURFACES

APPROX. WT:120.4 lbmass

THIRD ANGLE PROJECTION

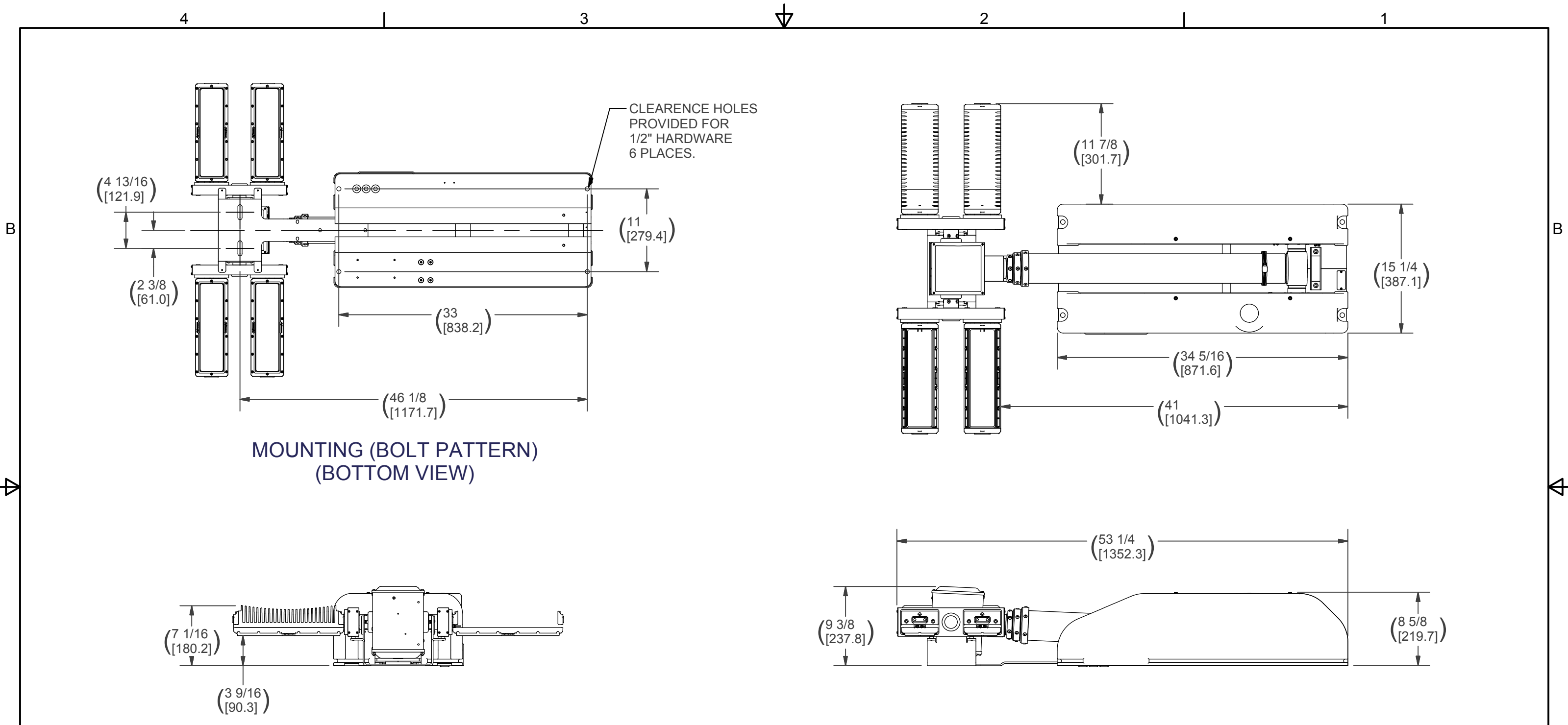
PROPRIETARY AND CONFIDENTIAL
 THE INFORMATION CONTAINED IN THIS
 DRAWING IS THE SOLE PROPERTY OF THE
 WILL-BURT COMPANY ANY REPRODUCTION
 IN PART OR WHOLE WITHOUT THE WRITTEN
 PERMISSION OF THE WILL-BURT COMPANY IS
 PROHIBITED.

APPROVALS	DATE
DRAWN RCC	5/5/2014
CHECKED	

W3 AN EMPLOYEE OWNED COMPANY
WILL-BURT ORRVILLE, OH

TITLE
**NSC 2.3 500 4X125W NS-XL
12/24 WHT**

SIZE B	DWG NO 720700135	REV 00
PN: SEE TABLE ABOVE		SHEET 1 OF 2



ALL SPECIFICATIONS SUBJECT TO CHANGE WITHOUT NOTICE.

NOTES:
PRIMARY DIMENSIONS INCHES
SECONDARY DIMENSIONS MILLIMETERS.

APPROX. WT:120.4 lbmass

THIRD ANGLE PROJECTION



UNLESS OTHERWISE SPECIFIED DIMENSIONS ARE IN INCHES.
TOLERANCES ON DECIMALS ANGLES
0 = ± 0.030 ± 1/2°
00 = ± 0.010
000 = ± 0.005
FRACTIONAL ± 1/64"
1. ALL INSIDE EDGES TO HAVE .005" TO .035" FILLETS.
2. ALL OUTSIDE EDGES TO HAVE .005" TO .015" CHAMFER OR RADIUS.
125 ON ALL MACHINED SURFACES

PROPRIETARY AND CONFIDENTIAL
THE INFORMATION CONTAINED IN THIS DRAWING IS THE SOLE PROPERTY OF THE WILL-BURT COMPANY ANY REPRODUCTION IN PART OR WHOLE WITHOUT THE WRITTEN PERMISSION OF THE WILL-BURT COMPANY IS PROHIBITED.

WB AN EMPLOYEE OWNED COMPANY
WILL-BURT ORRVILLE, OH

TITLE
**NSC 2.3 500 4X125W NS-XL
12/24 WHT**

APPROVALS	DATE
DRAWN RCC	5/5/2014
CHECKED	

SIZE B	DWG NO 720700135	REV 00
PN: SEE TABLE ABOVE	SHEET 2 OF 2	