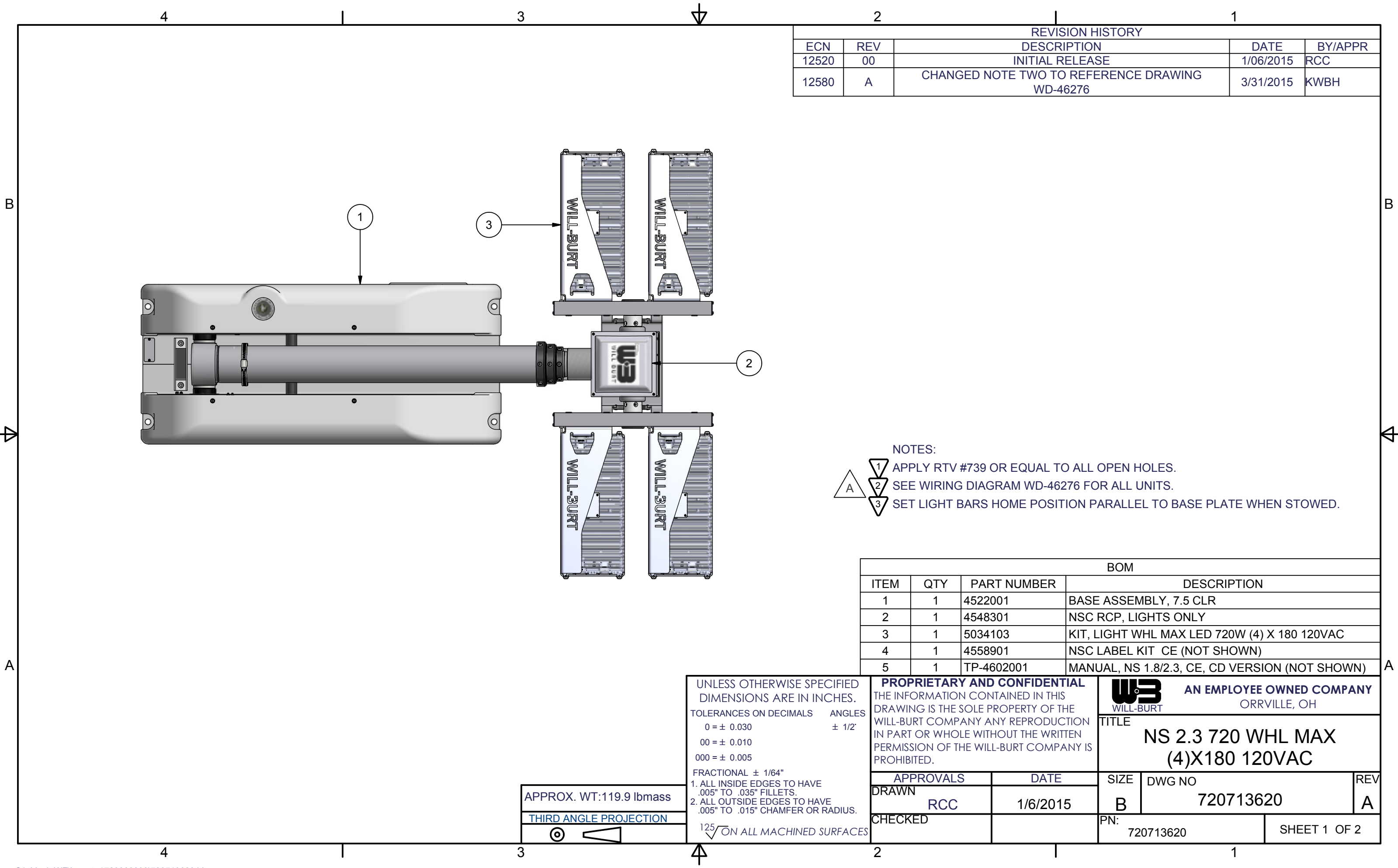


REVISION HISTORY				
ECN	REV	DESCRIPTION	DATE	BY/APPR
12520	00	INITIAL RELEASE	1/06/2015	RCC
12580	A	CHANGED NOTE TWO TO REFERENCE DRAWING WD-46276	3/31/2015	KWBH



- NOTES:
- 1 APPLY RTV #739 OR EQUAL TO ALL OPEN HOLES.
  - 2 SEE WIRING DIAGRAM WD-46276 FOR ALL UNITS.
  - 3 SET LIGHT BARS HOME POSITION PARALLEL TO BASE PLATE WHEN STOWED.

BOM			
ITEM	QTY	PART NUMBER	DESCRIPTION
1	1	4522001	BASE ASSEMBLY, 7.5 CLR
2	1	4548301	NSC RCP, LIGHTS ONLY
3	1	5034103	KIT, LIGHT WHL MAX LED 720W (4) X 180 120VAC
4	1	4558901	NSC LABEL KIT CE (NOT SHOWN)
5	1	TP-4602001	MANUAL, NS 1.8/2.3, CE, CD VERSION (NOT SHOWN)

UNLESS OTHERWISE SPECIFIED  
DIMENSIONS ARE IN INCHES.

TOLERANCES ON DECIMALS    ANGLES  
0 = ± 0.030                      ± 1/2°  
00 = ± 0.010  
000 = ± 0.005

FRACTIONAL ± 1/64"

1. ALL INSIDE EDGES TO HAVE  
.005" TO .035" FILLETS.  
2. ALL OUTSIDE EDGES TO HAVE  
.005" TO .015" CHAMFER OR RADIUS.

125° ON ALL MACHINED SURFACES

APPROX. WT:119.9 lbmass

THIRD ANGLE PROJECTION



**PROPRIETARY AND CONFIDENTIAL**  
THE INFORMATION CONTAINED IN THIS  
DRAWING IS THE SOLE PROPERTY OF THE  
WILL-BURT COMPANY ANY REPRODUCTION  
IN PART OR WHOLE WITHOUT THE WRITTEN  
PERMISSION OF THE WILL-BURT COMPANY IS  
PROHIBITED.

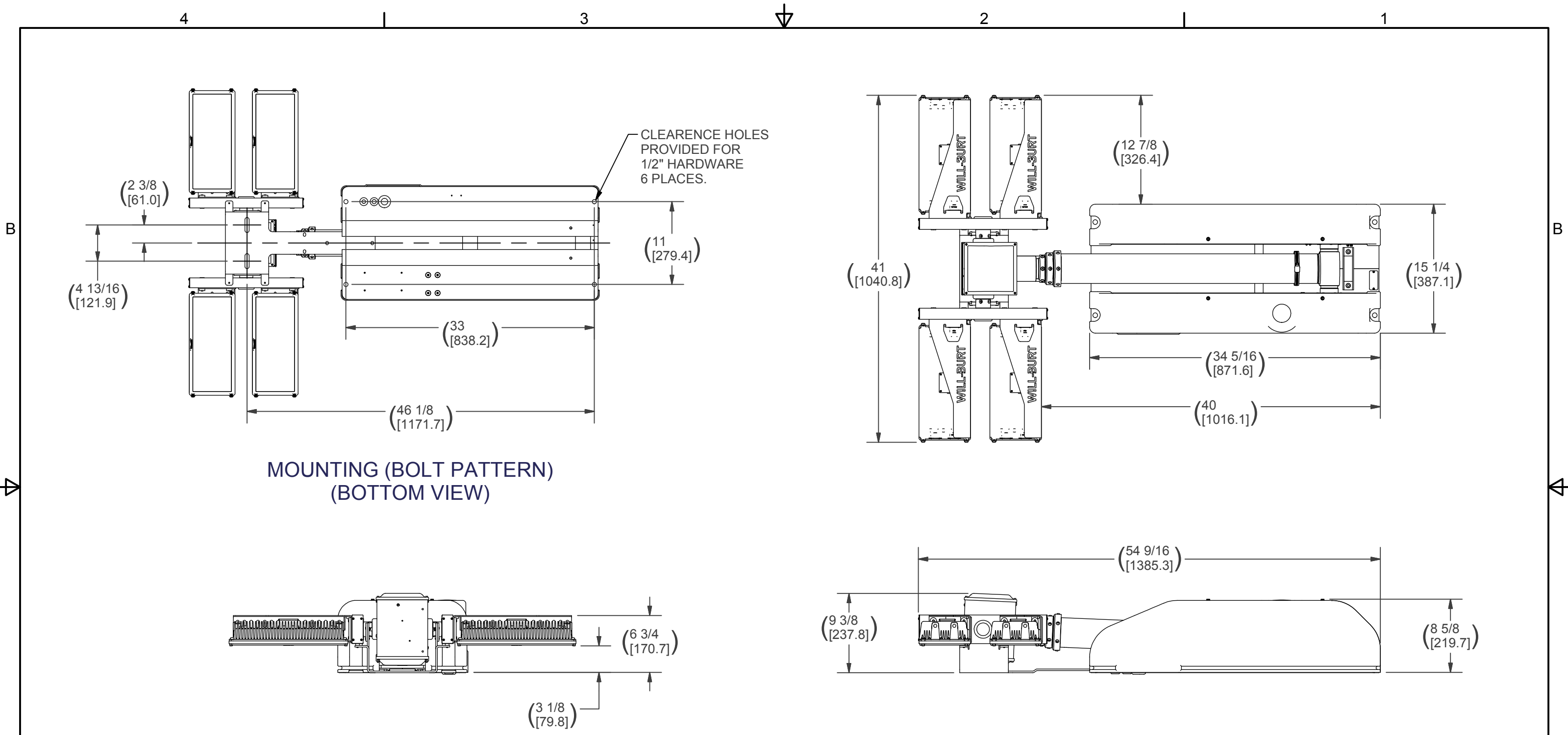


TITLE  
**NS 2.3 720 WHL MAX  
(4)X180 120VAC**

APPROVALS	DATE
DRAWN RCC	1/6/2015
CHECKED	

SIZE	DWG NO	REV
B	720713620	A

PN: 720713620      SHEET 1 OF 2



MOUNTING (BOLT PATTERN)  
(BOTTOM VIEW)

ALL SPECIFICATIONS SUBJECT TO CHANGE WITHOUT NOTICE.

NOTES:  
PRIMARY DIMENSIONS INCHES  
SECONDARY DIMENSIONS MILLIMETERS.

APPROX. WT: 119.9 lbmass

THIRD ANGLE PROJECTION



UNLESS OTHERWISE SPECIFIED  
DIMENSIONS ARE IN INCHES.  
TOLERANCES ON DECIMALS ANGLES  
0 = ± 0.030 ± 1/2'  
00 = ± 0.010  
000 = ± 0.005  
FRACTIONAL ± 1/64"  
1. ALL INSIDE EDGES TO HAVE  
.005" TO .035" FILLETS.  
2. ALL OUTSIDE EDGES TO HAVE  
.005" TO .015" CHAMFER OR RADIUS.  
125 ON ALL MACHINED SURFACES

**PROPRIETARY AND CONFIDENTIAL**  
THE INFORMATION CONTAINED IN THIS  
DRAWING IS THE SOLE PROPERTY OF THE  
WILL-BURT COMPANY ANY REPRODUCTION  
IN PART OR WHOLE WITHOUT THE WRITTEN  
PERMISSION OF THE WILL-BURT COMPANY IS  
PROHIBITED.

**WB** AN EMPLOYEE OWNED COMPANY  
WILL-BURT ORRVILLE, OH

TITLE  
**NS 2.3 720 WHL MAX  
(4)X180 120VAC**

APPROVALS	DATE
DRAWN RCC	1/6/2015
CHECKED	

SIZE B	DWG NO 720713620	REV A
PN: 720713620	SHEET 2 OF 2	