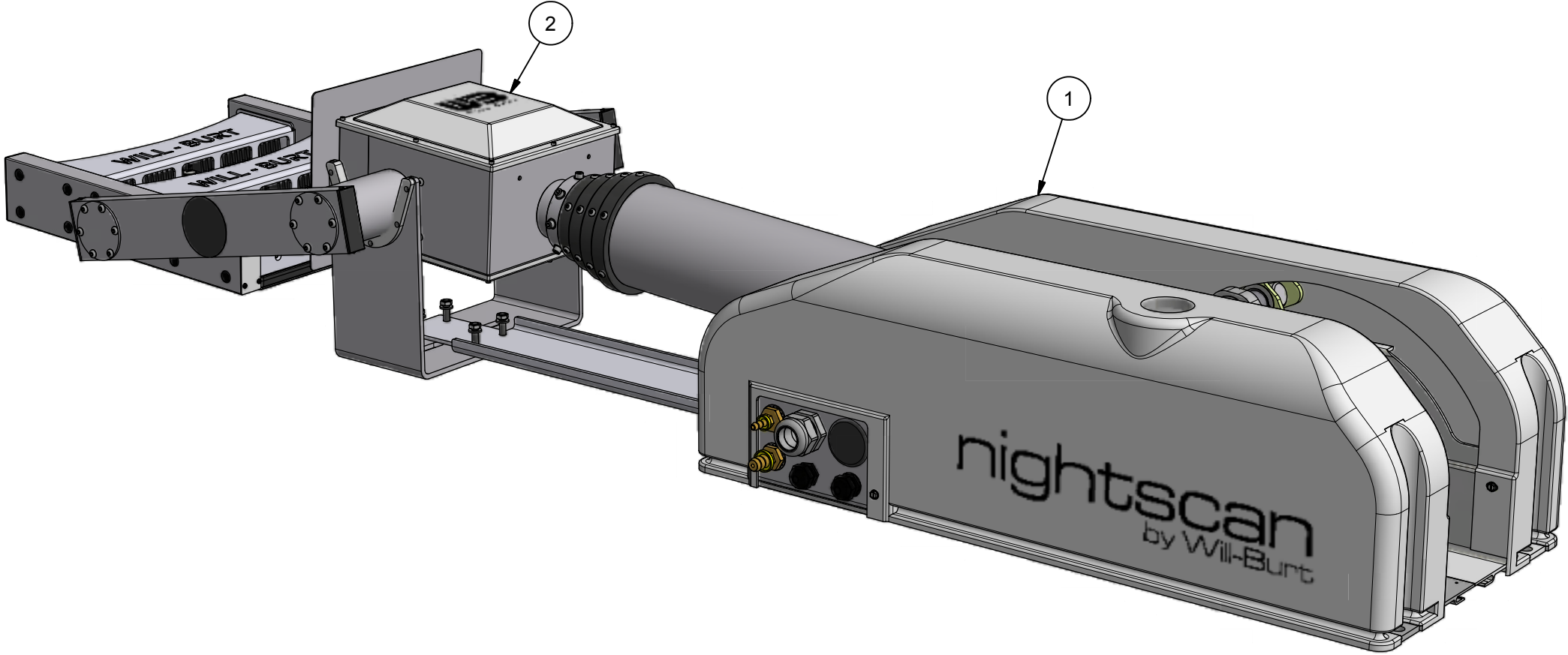


REVISION HISTORY				
ECN	REV	DESCRIPTION	DATE	APPROVED
13376	00	INITIAL RELEASE	10/03/2016	RCC



BOM			
ITEM	QTY	PART NUMBER	DESCRIPTION
1	1	4822603	BASE ASM POWERLITE PROFILER10 FT CLR
2	1	4857401	PROFILER HDT 450W WHN SPT/FLD
3	1	4706701	LABEL KIT-CLEAR (NOT SHOWN)
4	1	4807801	SHIPPING KIT (NOT SHOWN)
5	1	TP-4723701	NSP MANUAL CD (NOT SHOWN)
6	1	WD-26276	WIRING DIAGRAM (NOT SHOWN)

NOTE:

- 1 APPLY RTV #739 OR EQUAL TO ALL OPEN HOLES
- 2 SEE WIRING DIAGRAM WD-46276 FOR WIRING DETAILS
- 3 APPLY LOCTITE #242 OR EQUAL TO ALL THREADS UNLESS OTHERWISE NOTED
- 4 APPLY A COAT OF SILICONE GREASE TO RCP MOTOR BORES PRIOR TO SHAFTS BEING INSTALLED

**UNLESS OTHERWISE SPECIFIED DIMENSIONS ARE IN INCHES.**  
 TOLERANCES ON DECIMALS ANGLES  
 0 = ± 0.030 ± 1°  
 00 = ± 0.020  
 000 = ± 0.015

1. ALL INSIDE EDGES TO HAVE .005" TO .035" FILLETS.  
 2. ALL OUTSIDE EDGES TO HAVE .005" TO .015" CHAMFER OR RADIUS.  
 125√ ON ALL MACHINED SURFACES

**PROPRIETARY AND CONFIDENTIAL**  
 THE INFORMATION CONTAINED IN THIS DRAWING IS THE SOLE PROPERTY OF THE WILL-BURT COMPANY ANY REPRODUCTION IN PART OR WHOLE WITHOUT THE WRITTEN PERMISSION OF THE WILL-BURT COMPANY IS PROHIBITED.

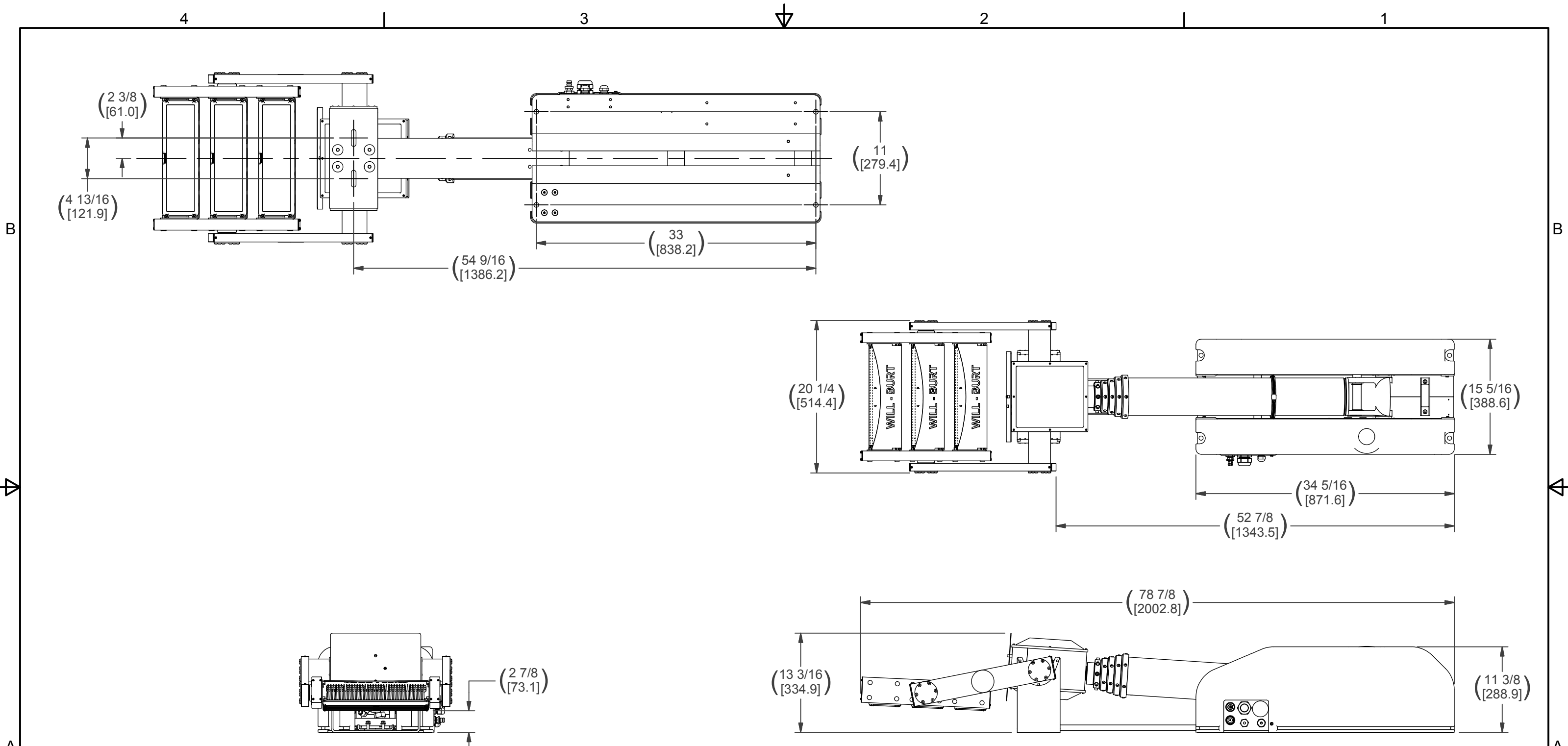
**WILL-BURT AN EMPLOYEE OWNED COMPANY**  
 ORRVILLE, OH

TITLE  
**NS 3.0 450W WHL PRFLR 120V SPT/FLD**

WEIGHT N/A  
 THIRD ANGLE PROJECTION

APPROVALS	DATE
DRAWN RCC	10/3/2016
CHECKED	

SIZE	DWG NO	REV
B	721030027	00
PN: 721030027		SHEET 1 OF 2



**UNLESS OTHERWISE SPECIFIED  
DIMENSIONS ARE IN INCHES.**  
 TOLERANCES ON DECIMALS ANGLES  
 0 = ± 0.030 ± 1°  
 00 = ± 0.020  
 000 = ± 0.015

1. ALL INSIDE EDGES TO HAVE  
.005" TO .035" FILLETS.  
 2. ALL OUTSIDE EDGES TO HAVE  
.005" TO .015" CHAMFER OR RADIUS.  
 125√ ON ALL MACHINED SURFACES

WEIGHT N/A  
 THIRD ANGLE PROJECTION

**PROPRIETARY AND CONFIDENTIAL**  
 THE INFORMATION CONTAINED IN THIS  
 DRAWING IS THE SOLE PROPERTY OF THE  
 WILL-BURT COMPANY ANY  
 REPRODUCTION IN PART OR WHOLE  
 WITHOUT THE WRITTEN PERMISSION OF  
 THE WILL-BURT COMPANY IS PROHIBITED.

APPROVALS	DATE
DRAWN RCC	10/3/2016
CHECKED	

**W3** AN EMPLOYEE OWNED COMPANY  
 WILL-BURT ORRVILLE, OH

TITLE  
**NS 3.0 450W WHL PRFLR  
 120V SPT/FLD**

SIZE B	DWG NO 721030027	REV 00
PN: 721030027	SHEET 2 OF 2	