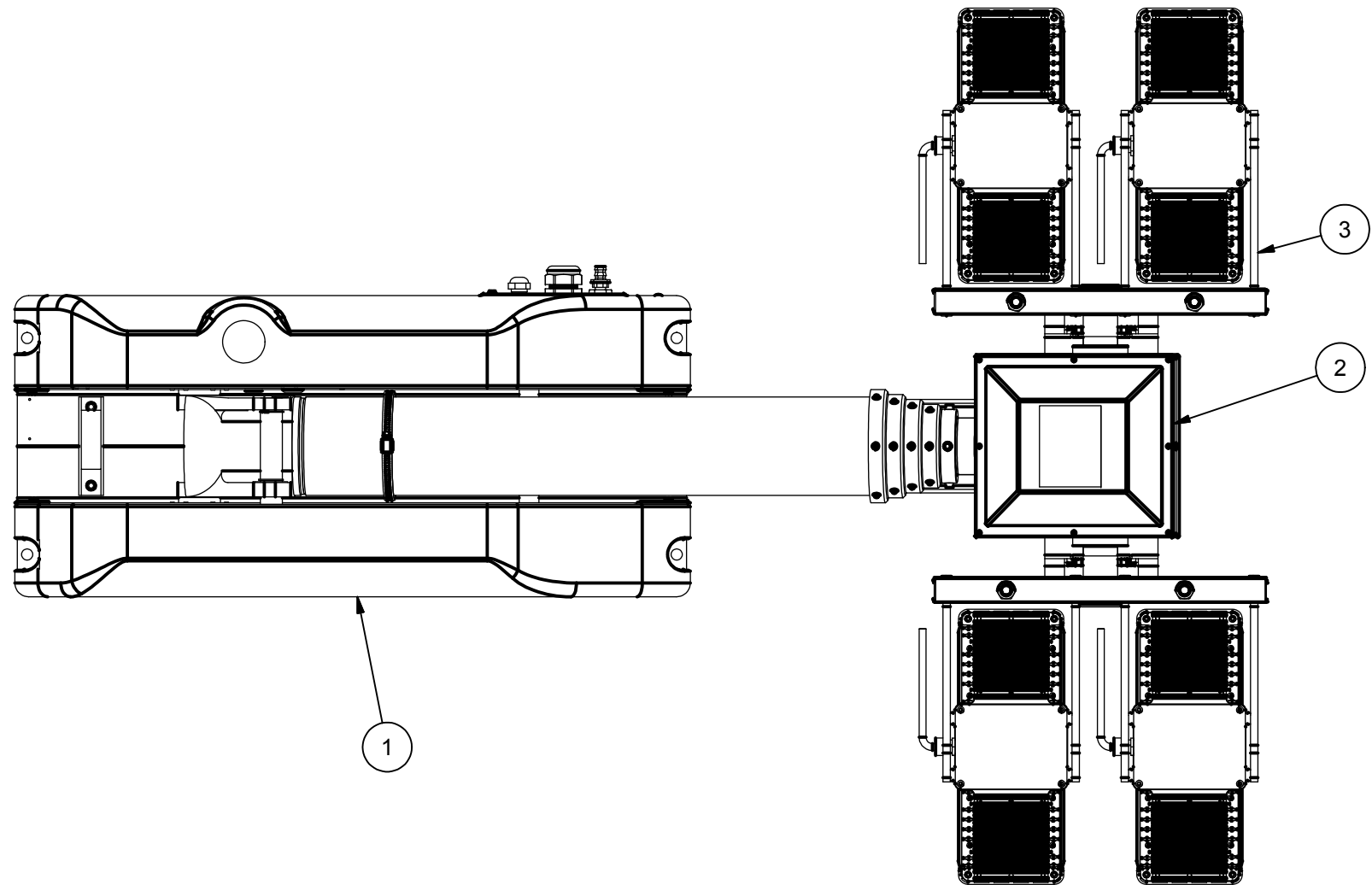


REVISION HISTORY				
ECN	REV	DESCRIPTION	DATE	BY/APPR
11775	00	INITIAL RELEASE	9/13/2013	RCC\



- NOTES:
- 1 ▽ APPLY RTV #739 OR EQUAL TO ALL OPEN HOLES
 - 2 ▽ SEE WIRING DIAGRAM WD-46276 FOR WIRING DETAILS
 - 3 ▽ SET LIGHT BARS HOME POSITION PARALLEL TO BASE PLATE WHEN STOWED
 - 4 ▽ APPLY LOCTITE #242 OR EQUAL TO ALL THREADS UNLESS OTHERWISE NOTED
 - 5 ▽ APPLY A COAT OF SILICONE GREASE TO RCP MOTOR BORES PRIOR TO SHAFTS BEING INSTALLED
 - 6 ▽ INSTALL GROUND WIRE ASSEMBLY TO BOARD AND RCP HOUSING

BOM			
ITEM	QTY	PART NUMBER	DESCRIPTION
1	1	4627603	BASE ASSEMBLY POWERLITE 10 FT CLR
2	1	4742501	RCP ASSEMBLY NSP STD
3	1	4757401	SPECTRA 920 (4X230W) 240VAC
4	1	4706701	NSP LABEL KIT (NOT SHOWN)
5	1	4807801	KIT, SHIPPING NSP (NOT SHOWN)

APPROX. WT:N/A

THIRD ANGLE PROJECTION

UNLESS OTHERWISE SPECIFIED DIMENSIONS ARE IN INCHES.

TOLERANCES ON DECIMALS ANGLES
0 = ± 0.030 ± 1/2°
00 = ± 0.010
000 = ± 0.005

FRACTIONAL ± 1/64"

1. ALL INSIDE EDGES TO HAVE .005" TO .035" FILLETS.
2. ALL OUTSIDE EDGES TO HAVE .005" TO .015" CHAMFER OR RADIUS.
125° ON ALL MACHINED SURFACES

PROPRIETARY AND CONFIDENTIAL

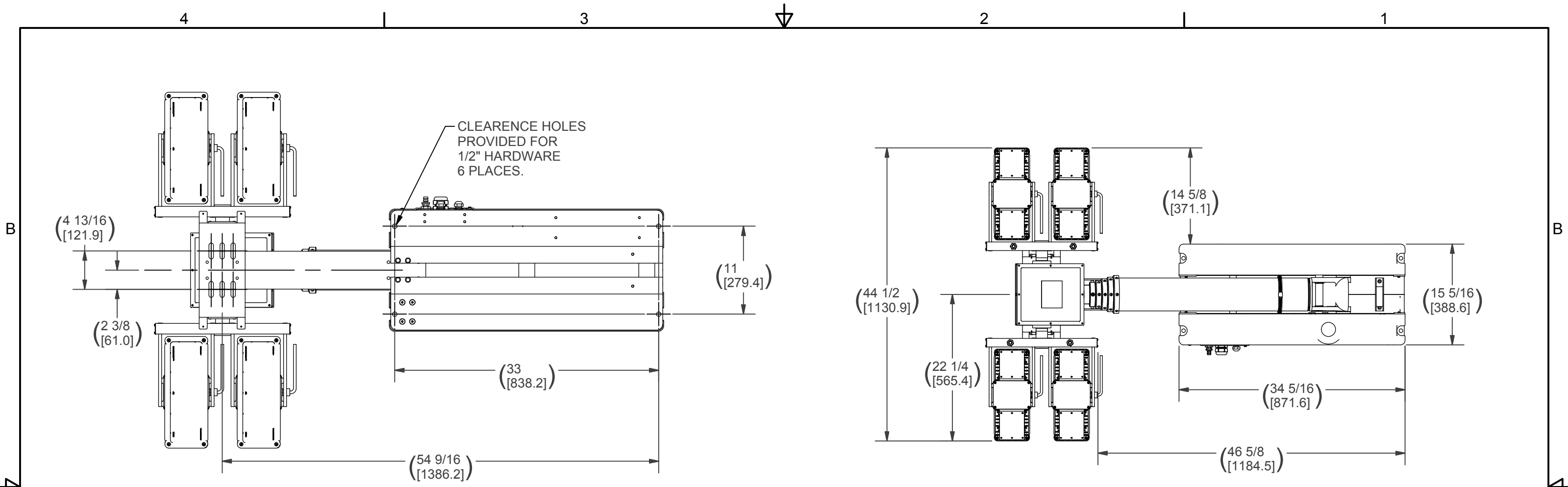
THE INFORMATION CONTAINED IN THIS DRAWING IS THE SOLE PROPERTY OF THE WILL-BURT COMPANY ANY REPRODUCTION IN PART OR WHOLE WITHOUT THE WRITTEN PERMISSION OF THE WILL-BURT COMPANY IS PROHIBITED.

APPROVALS	DATE
DRAWN RCC	9/13/2013
CHECKED	

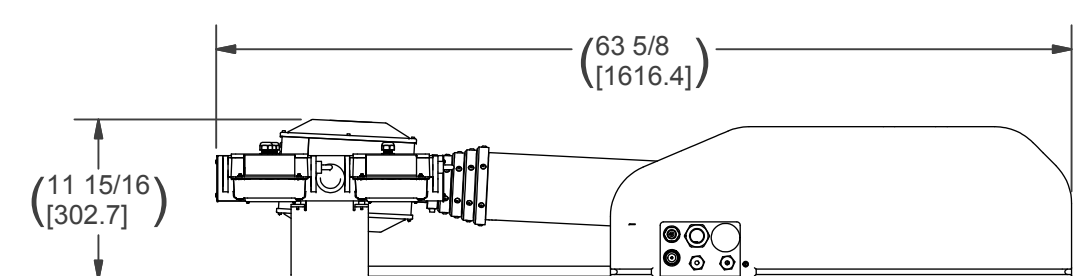
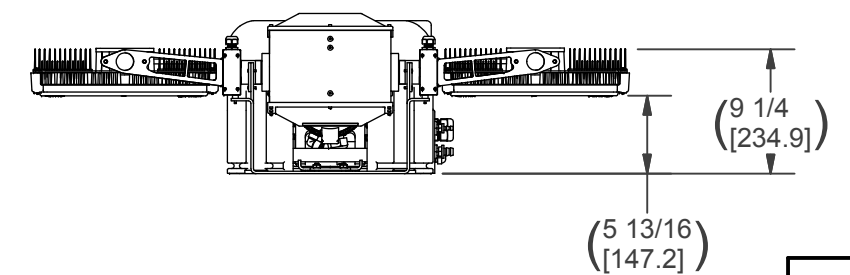
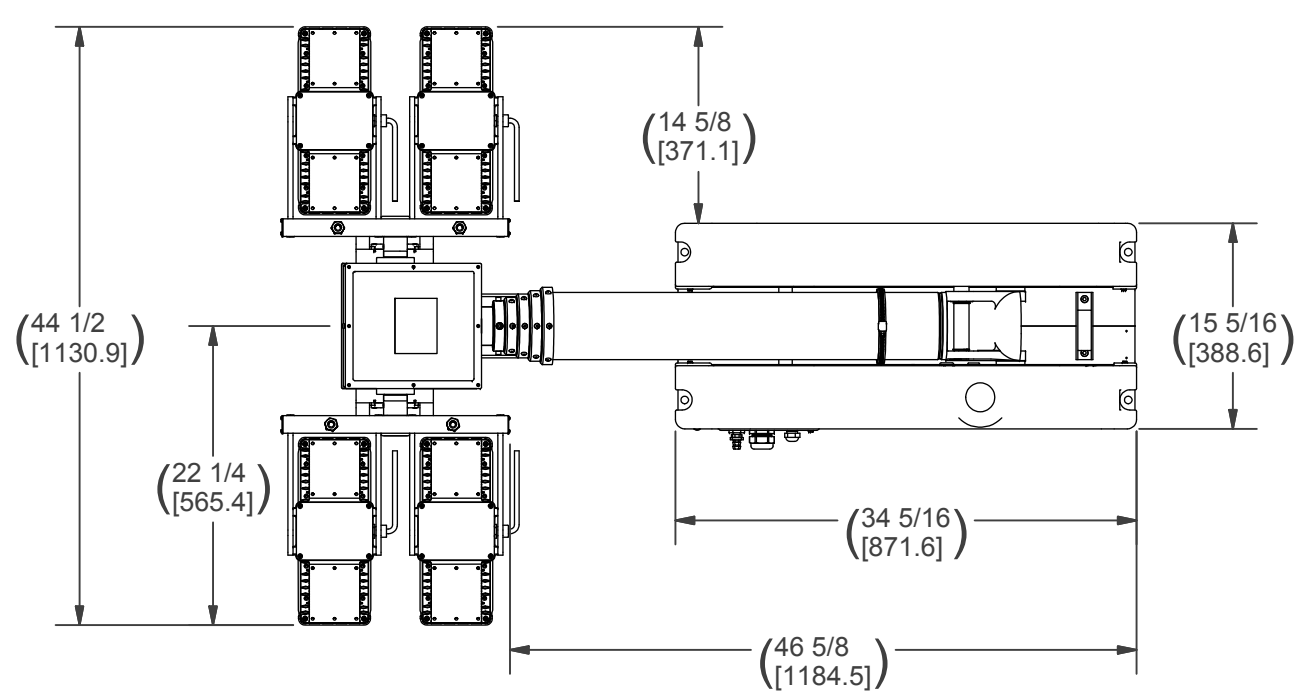
W3 AN EMPLOYEE OWNED COMPANY
WILL-BURT ORRVILLE, OH

TITLE
**NS 3.0-920-4x230 SPC LED
240VAC**

SIZE B	DWG NO 721079002	REV 00
PN: 721079002		SHEET 1 OF 2



**BOTTOM VIEW
MOUNTING BOLT PATTERN**



NOTES:
SECONDARY DIMENSIONS - MILLIMETERS NOTED IN BRACKETS

UNLESS OTHERWISE SPECIFIED
DIMENSIONS ARE IN INCHES.

TOLERANCES ON DECIMALS ANGLES
 0 = ± 0.030 ± 1/2°
 00 = ± 0.010
 000 = ± 0.005

FRACTIONAL ± 1/64"
 1. ALL INSIDE EDGES TO HAVE
 .005" TO .035" FILLETS.
 2. ALL OUTSIDE EDGES TO HAVE
 .005" TO .015" CHAMFER OR RADIUS.
 125° ON ALL MACHINED SURFACES

APPROX. WT: N/A

THIRD ANGLE PROJECTION

PROPRIETARY AND CONFIDENTIAL

THE INFORMATION CONTAINED IN THIS
DRAWING IS THE SOLE PROPERTY OF THE
WILL-BURT COMPANY ANY REPRODUCTION
IN PART OR WHOLE WITHOUT THE WRITTEN
PERMISSION OF THE WILL-BURT COMPANY IS
PROHIBITED.

APPROVALS	DATE
DRAWN RCC	9/13/2013
CHECKED	

W3 AN EMPLOYEE OWNED COMPANY
WILL-BURT ORRVILLE, OH

TITLE
**NS 3.0-920-4x230 SPC LED
240VAC**

SIZE	DWG NO	REV
B	721079002	00

PN: 721079002 SHEET 2 OF 2