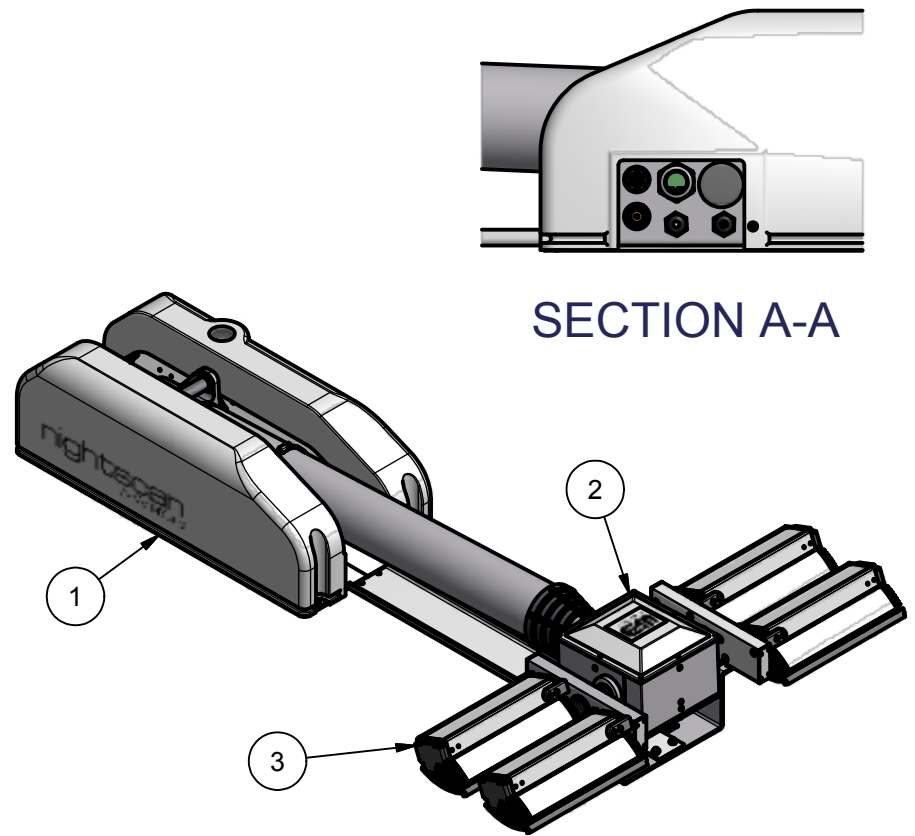


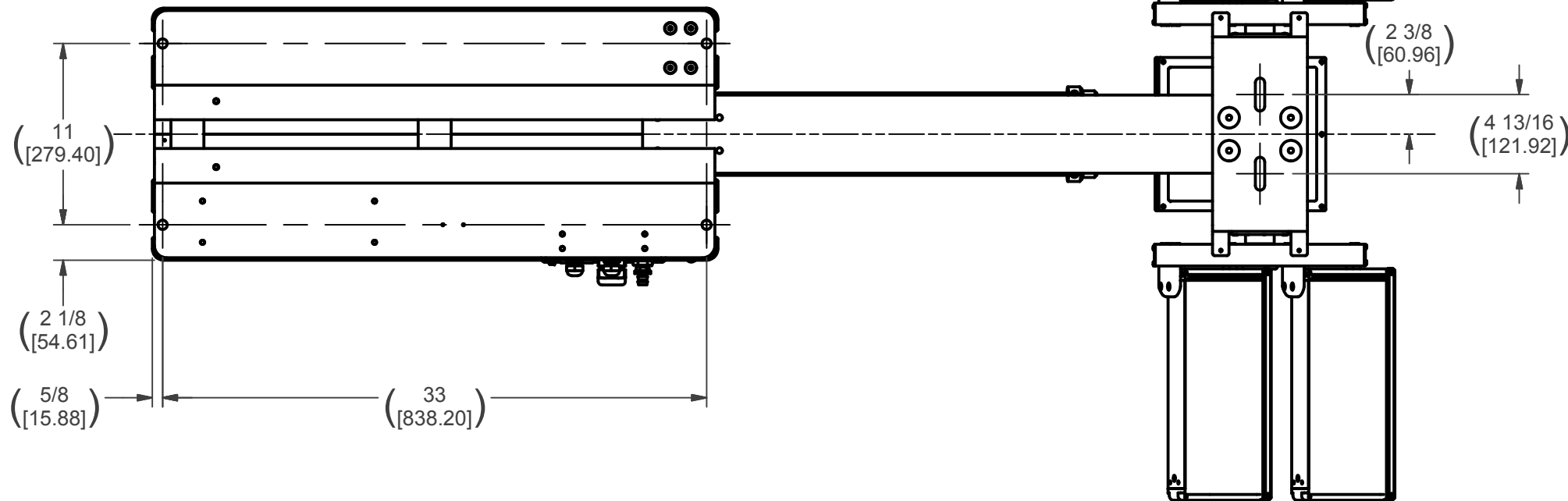
REVISION HISTORY				
ECN	REV	DESCRIPTION	DATE	APPROVED
11123	N	INITIAL DRAWING	7/19/2012	DAS



NOTE:
SECONDARY DIMENSIONS - MILLIMETERS NOTED IN BRACKETS

MATERIAL	UNLESS OTHERWISE SPECIFIED DIMENSIONS ARE IN INCHES.	PROPRIETARY AND CONFIDENTIAL	AN EMPLOYEE OWNED COMPANY ORRVILLE, OH	
FINISH	TOLERANCES ON: DIMENSIONS ± 0.005 ANGLES ± 1° 1. ALL ANGLES 90° 2. ALL INSIDE EDGES TO HAVE .005" TO .035" FILLETS. 3. ALL OUTSIDE EDGES TO HAVE .005" TO .015" CHAMFER OR RADIUS.	THE INFORMATION CONTAINED IN THIS DRAWING IS THE SOLE PROPERTY OF THE WILL-BURT COMPANY ANY REPRODUCTION IN PART OR WHOLE WITHOUT THE WRITTEN PERMISSION OF THE WILL-BURT COMPANY IS PROHIBITED.		TITLE
APPROX. WT:156.6 lbmass	125° ON ALL MACHINED SURFACES	APPROVALS	DATE	SIZE
THIRD ANGLE PROJECTION		dasmith	7/19/2012	B
		CHECKED		DWG NO
				721563010
				PN:
				721549010
				REV
				N
				SHEET 1 OF 2

**BOTTOM VIEW
MOUNTING BOLT PATTERN**



NOTE:

- 1 APPLY RTV #739 OR EQUAL TO ALL OPEN HOLES
- 2 SEE WIRING DIAGRAM WD-46276 FOR WIRING DETAILS
- 3 SET LIGHT BARS HOME POSITION PARALLEL TO BASE PLATE WHEN STOWED
- 4 APPLY LOCTITE #242 OR EQUAL TO ALL THREADS UNLESS OTHERWISE NOTED
- 5 APPLY A COAT OF SILICONE GREASE TO RCP MOTOR BORES PRIOR TO SHAFTS BEING INSTALLED

BOM			
ITEM	QTY	PART NUMBER	DESCRIPTION
1	1	4627601	BASE ASSEMBLY NSP
2	1	4742501	RCP ASSEMBLY NSP STD
3	1	4574607	OPT 4 LIGHT, 4000W (4-1000 220VAC) WHT
4	1	4706701	NSP LABEL KIT (NOT SHOWN)
5	1	4807801	KIT, SHIPPING NSP (NOT SHOWN)

MATERIAL	UNLESS OTHERWISE SPECIFIED DIMENSIONS ARE IN INCHES. TOLERANCES ON: DIMENSIONS ± 0.005 ANGLES ± 1° 1. ALL ANGLES 90° 2. ALL INSIDE EDGES TO HAVE .005" TO .035" FILLETS. 3. ALL OUTSIDE EDGES TO HAVE .005" TO .015" CHAMFER OR RADIUS. 125° ON ALL MACHINED SURFACES	PROPRIETARY AND CONFIDENTIAL THE INFORMATION CONTAINED IN THIS DRAWING IS THE SOLE PROPERTY OF THE WILL-BURT COMPANY ANY REPRODUCTION IN PART OR WHOLE WITHOUT THE WRITTEN PERMISSION OF THE WILL-BURT COMPANY IS PROHIBITED.	WILL-BURT AN EMPLOYEE OWNED COMPANY ORRVILLE, OH			
			TITLE NS 4.5-4000 OPTIMUM 220 VAC WHITE			
FINISH		APPROVALS	DATE	SIZE	DWG NO	REV
APPROX. WT:156.6 lbmass		dasmith	7/19/2012	B	721563010	N
THIRD ANGLE PROJECTION		CHECKED		PN:	721549010	SHEET 2 OF 2