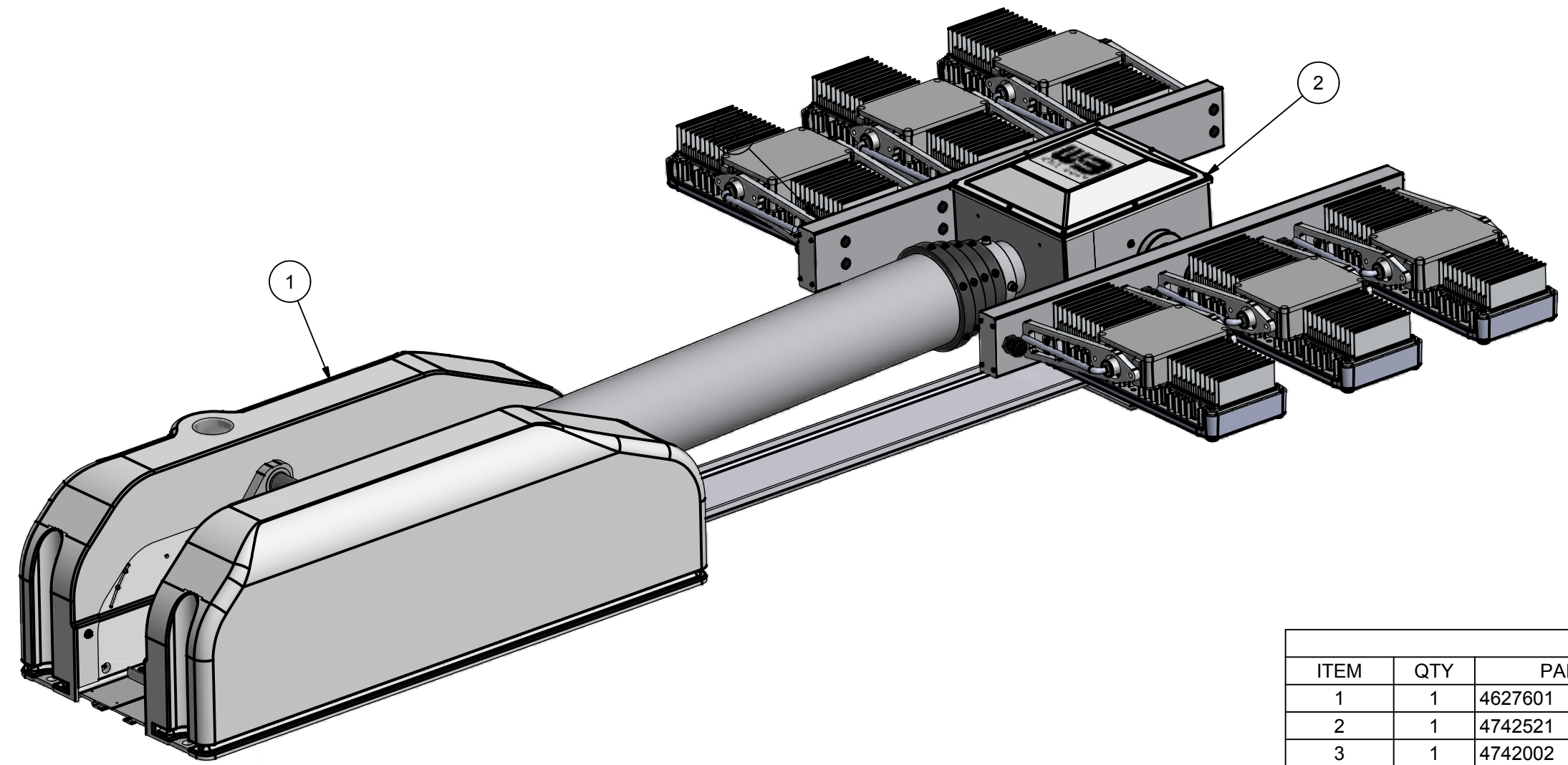


REVISION HISTORY				
ECN	REV	DESCRIPTION	DATE	APPROVED
10862	00	INITIAL RELEASE	1/10/2012	RCC\
11093	A	RESTRUCTURED BOM	6/18/2012	RCC\
11725	B	4742521 was 4742501 & 4742002 was 4822702	8/5/2013	RCC



BOM			
ITEM	QTY	PART NUMBER	DESCRIPTION
1	1	4627601	BASE ASSEMBLY NSP
2	1	4742521	RCP ASSEMBLY NSP STD NO-SHAFTS CLR
3	1	4742002	SPECTRA 1380 (6X230W) 120V
4	1	4706701	NSP LABEL KIT (NOT SHOWN)
5	1	900600	MAST OIL (NOT SHOWN)
6	1	911184	SHIPPING CARTON (NOT SHOWN)
7	1	TP-4723701	NSP MANUAL CD (NOT SHOWN)
8	1	WD-46276	WIRING DIAGRAM

**UNLESS OTHERWISE SPECIFIED
DIMENSIONS ARE IN INCHES.**
TOLERANCES ON DECIMALS ANGLES
0 = ± 0.030 ± 1°
00 = ± 0.020
000 = ± 0.015

1. ALL INSIDE EDGES TO HAVE
.005" TO .035" FILLETS.
2. ALL OUTSIDE EDGES TO HAVE
.005" TO .015" CHAMFER OR RADIUS.
 $\sqrt[125]{}$ ON ALL MACHINED SURFACES

APPROX. WT:191.4 lbmass
THIRD ANGLE PROJECTION

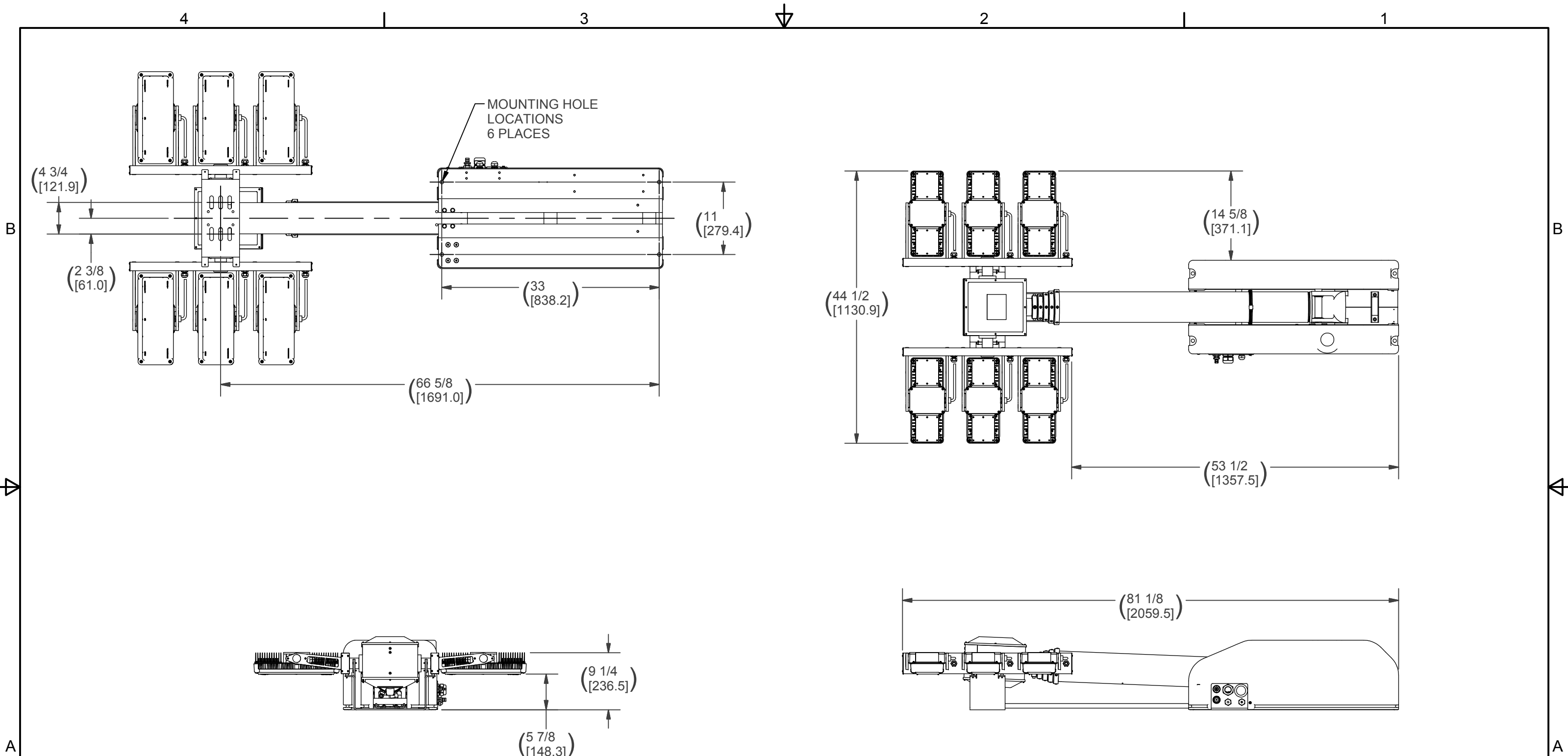
PROPRIETARY AND CONFIDENTIAL
THE INFORMATION CONTAINED IN THIS
DRAWING IS THE SOLE PROPERTY OF THE
WILL-BURT COMPANY ANY
REPRODUCTION IN PART OR WHOLE
WITHOUT THE WRITTEN PERMISSION OF
THE WILL-BURT COMPANY IS PROHIBITED.

APPROVALS	DATE
DRAWN RCC	8/5/2013
CHECKED	

WILL-BURT AN EMPLOYEE OWNED COMPANY
ORRVILLE, OH

TITLE
**NS 4.5 1380 X (6-230w)
SPECTRA LED 115V**

SIZE B	DWG NO 721579004	REV B
PN: 721579004	SHEET 1 OF 2	



APPROX. WT:191.4 lbmass

THIRD ANGLE PROJECTION



UNLESS OTHERWISE SPECIFIED DIMENSIONS ARE IN INCHES.
 TOLERANCES ON DECIMALS ANGLES
 0 = ± 0.030 ± 1°
 00 = ± 0.020
 000 = ± 0.015

1. ALL INSIDE EDGES TO HAVE .005" TO .035" FILLETS.
 2. ALL OUTSIDE EDGES TO HAVE .005" TO .015" CHAMFER OR RADIUS.
 125 ✓ ON ALL MACHINED SURFACES

PROPRIETARY AND CONFIDENTIAL
 THE INFORMATION CONTAINED IN THIS DRAWING IS THE SOLE PROPERTY OF THE WILL-BURT COMPANY ANY REPRODUCTION IN PART OR WHOLE WITHOUT THE WRITTEN PERMISSION OF THE WILL-BURT COMPANY IS PROHIBITED.

W3 AN EMPLOYEE OWNED COMPANY
 WILL-BURT ORRVILLE, OH

TITLE
**NS 4.5 1380 X (6-230w)
 SPECTRA LED 115V**

APPROVALS	DATE
DRAWN RCC	8/5/2013
CHECKED	

SIZE	DWG NO	REV
B	721579004	B
PN: 721579004		SHEET 2 OF 2