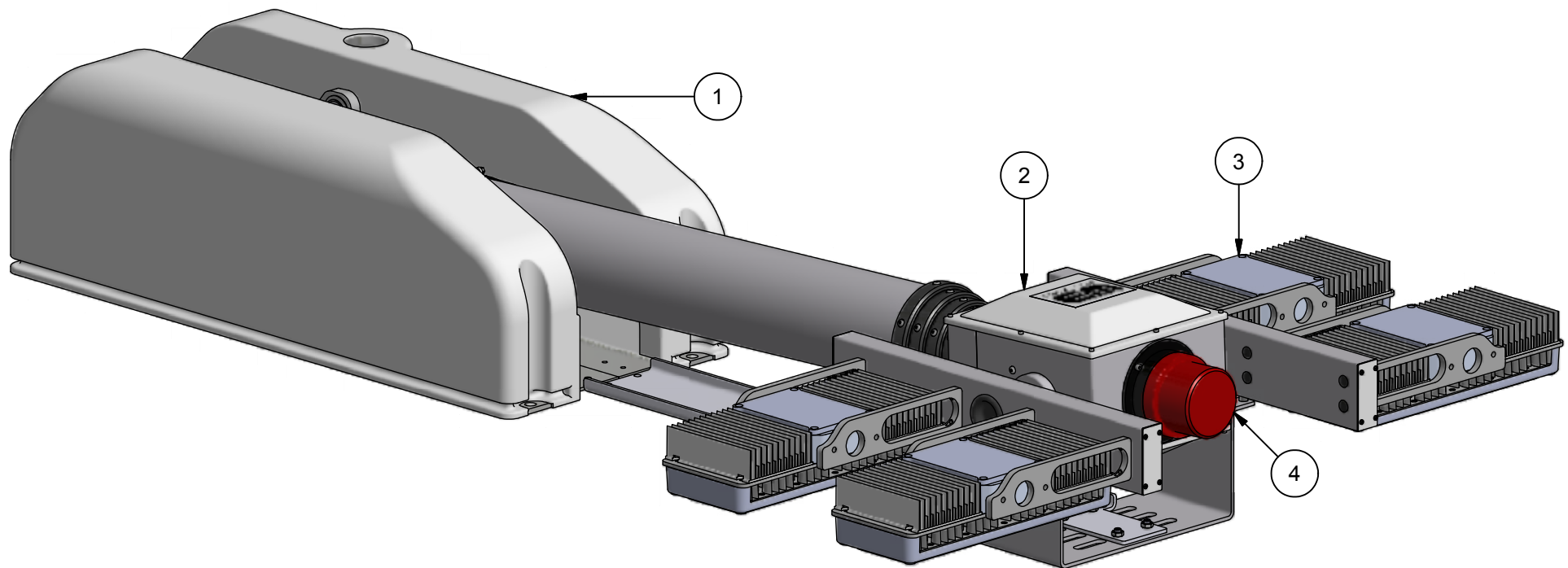


|             |  |            |            |                  |       |     |                 |           |          |
|-------------|--|------------|------------|------------------|-------|-----|-----------------|-----------|----------|
| Table       |  |            |            | REVISION HISTORY |       |     |                 |           |          |
| PART NUMBER | DESCRIPTION                              | ITEM-2 P/N | ITEM-3 P/N | ITEM-4 P/N       | ECN   | REV | DESCRIPTION     | DATE      | APPROVED |
| 721579006   | NS 4.5-920-4x230 SPC LED 24 VDC RED STRB | 4742505    | 4810704    | 4481602          | 11453 | 00  | INITIAL RELEASE | 1/28/2013 | RCC      |
| 721579007   | NS 4.5-920-4x230 SPC LED 24 VDC          | 4742501    | 4810704    | NONE             | 11652 | A   | Added 721579007 | 6/11/2013 | RCC      |



| BOM  |     |             |                                       |
|------|-----|-------------|---------------------------------------|
| ITEM | QTY | PART NUMBER | DESCRIPTION                           |
| 1    | 1   | 4627601     | BASE ASSEMBLY NSP                     |
| 2    | 1   | SEE TABLE   | RCP ASSEMBLY NSP STROBE CLR           |
| 3    | 1   | SEE TABLE   | SPC 920 (4X230W) 12VDC, REMOVABLE WHT |
| 4    | 1   | SEE TABLE   | Strobe Light Kit, Red                 |
| 5    | 1   | 4807801     | KIT, SHIPPING NSP (NOT SHOWN)         |
| 6    | 1   | 4706703     | LABEL KIT-CLEAR CE (NOT SHOWN)        |
| 7    | 1   | WD-46276    | WIRING DIAGRAM                        |

**NOTES:**

- 1 APPLY RTV #739 OR EQUAL TO ALL OPEN HOLES
- 2 SEE WIRING DIAGRAM WD-46276 FOR WIRING DETAILS
- 3 SET LIGHT BARS HOME POSITION PARALLEL TO BASE PLATE WHEN STOWED
- 4 APPLY LOCTITE #242 OR EQUAL TO ALL THREADS UNLESS OTHERWISE NOTED
- 5 APPLY A COAT OF SILICONE GREASE TO RCP MOTOR BORES PRIOR TO SHAFTS BEING INSTALLED

UNLESS OTHERWISE SPECIFIED DIMENSIONS ARE IN INCHES.  
 TOLERANCES ON DECIMALS    ANGLES  
 0 = ± 0.030                    ± 1/2°  
 00 = ± 0.015  
 000 = ± 0.010  
 FRACTIONAL ± 1/64"  
 1. ALL INSIDE EDGES TO HAVE .005" TO .035" FILLETS.  
 2. ALL OUTSIDE EDGES TO HAVE .005" TO .015" CHAMFER OR RADIUS.  
 125° ON ALL MACHINED SURFACES

**PROPRIETARY AND CONFIDENTIAL**  
 THE INFORMATION CONTAINED IN THIS DRAWING IS THE SOLE PROPERTY OF THE WILL-BURT COMPANY ANY REPRODUCTION IN PART OR WHOLE WITHOUT THE WRITTEN PERMISSION OF THE WILL-BURT COMPANY IS PROHIBITED.

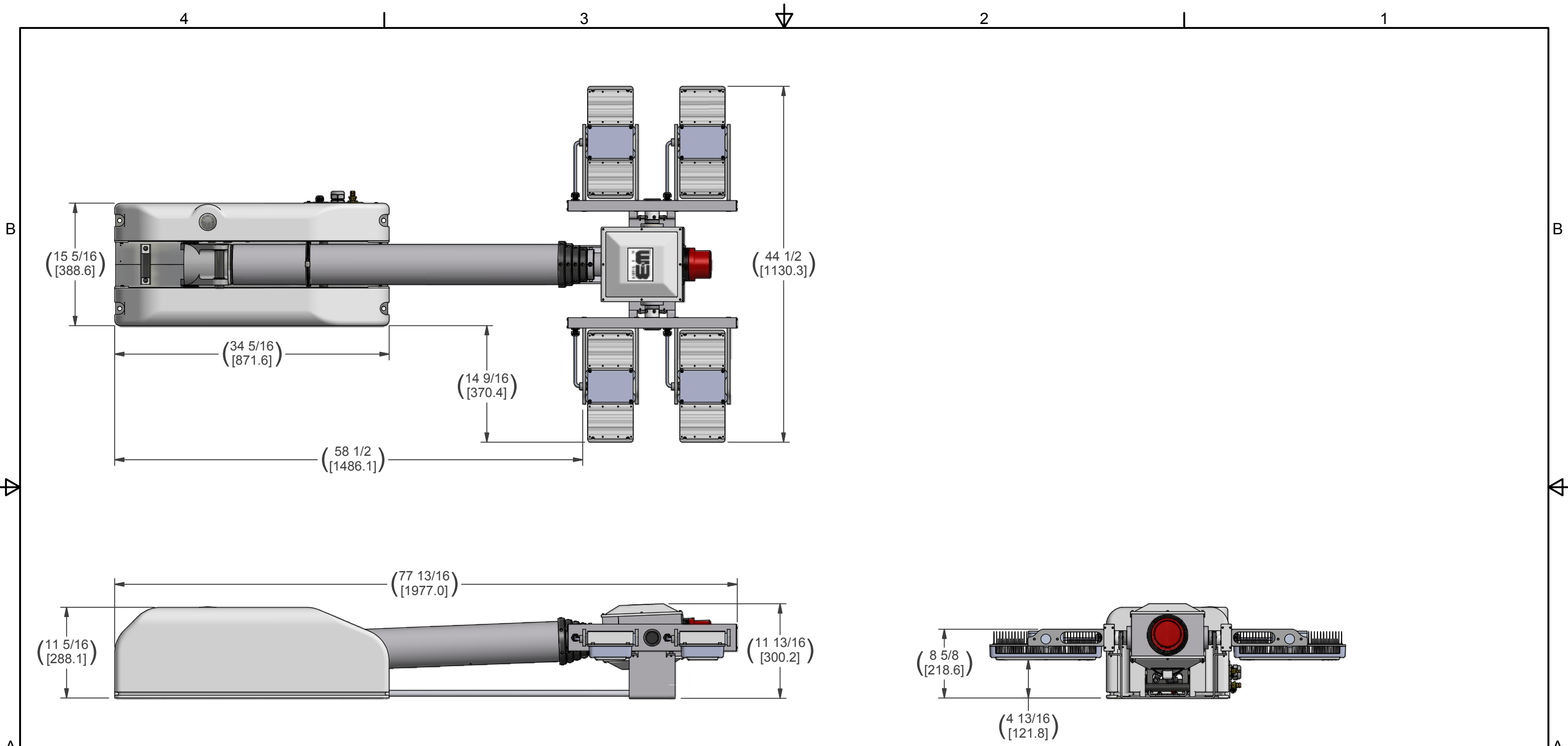


TITLE  
**NS 4.5-920-4x230 SPC LED 24 VDC**

APPROX. WT:  
 THIRD ANGLE PROJECTION

|              |           |
|--------------|-----------|
| APPROVALS    | DATE      |
| DRAWN<br>RCC | 1/28/2013 |
| CHECKED      |           |

|                  |                     |          |
|------------------|---------------------|----------|
| SIZE<br>B        | DWG NO<br>721579006 | REV<br>A |
| PN:<br>SEE ABOVE | SHEET 1 OF 3        |          |



**NOTES:**

SECONDARY DIMENSIONS - MILLIMETERS NOTED IN BRACKETS

APPROX. WT:

THIRD ANGLE PROJECTION



UNLESS OTHERWISE SPECIFIED  
DIMENSIONS ARE IN INCHES.

TOLERANCES ON DECIMALS    ANGLES  
 0 = ± 0.030                    ± 1/2°  
 00 = ± 0.015  
 000 = ± 0.010

FRACTIONAL ± 1/64"  
 1. ALL INSIDE EDGES TO HAVE  
 .005" TO .035" FILLETS.  
 2. ALL OUTSIDE EDGES TO HAVE  
 .005" TO .015" CHAMFER OR RADIUS.

$\sqrt{R125}$  ON ALL MACHINED SURFACES

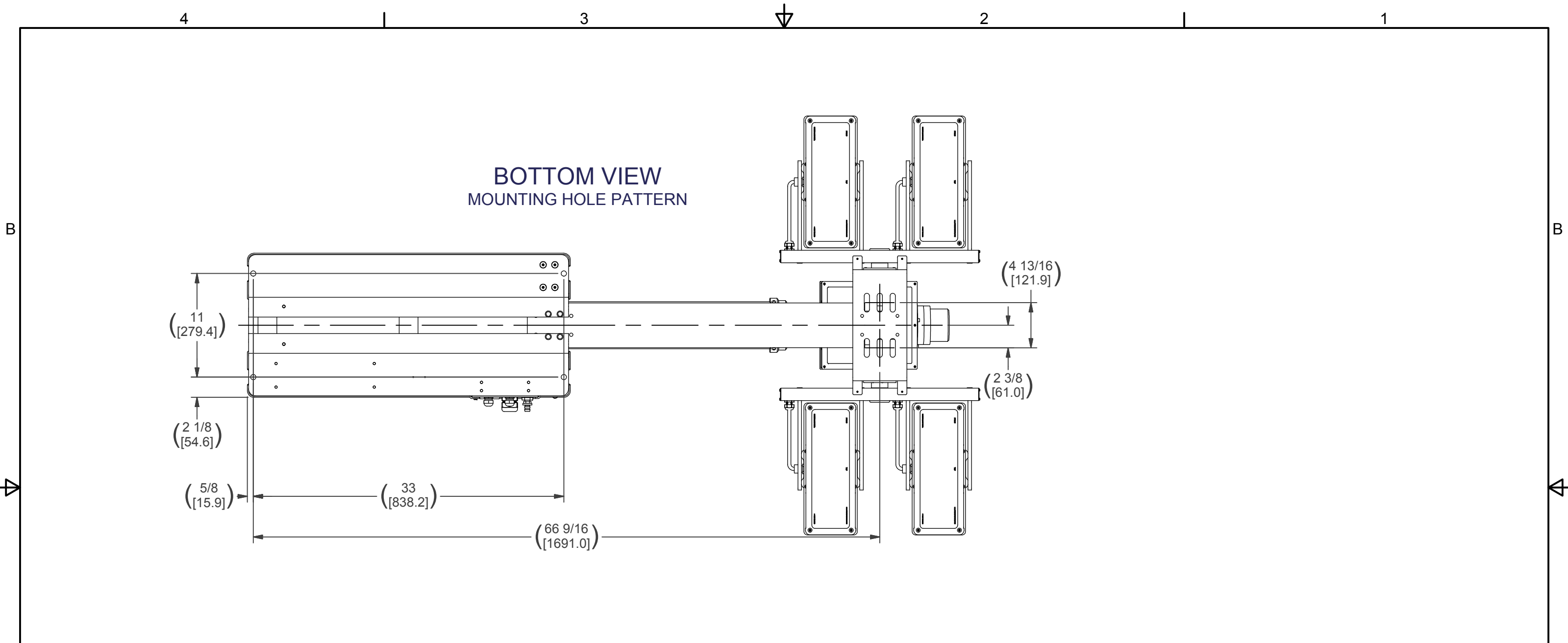
**PROPRIETARY AND CONFIDENTIAL**  
 THE INFORMATION CONTAINED IN THIS  
 DRAWING IS THE SOLE PROPERTY OF THE  
 WILL-BURT COMPANY ANY REPRODUCTION  
 IN PART OR WHOLE WITHOUT THE WRITTEN  
 PERMISSION OF THE WILL-BURT COMPANY IS  
 PROHIBITED.

**WB** AN EMPLOYEE OWNED COMPANY  
 WILL-BURT ORRVILLE, OH

TITLE  
**NS 4.5-920-4x230  
 SPC LED 24 VDC**

|              |           |
|--------------|-----------|
| APPROVALS    | DATE      |
| DRAWN<br>RCC | 1/28/2013 |
| CHECKED      |           |

|                  |                     |          |
|------------------|---------------------|----------|
| SIZE<br>B        | DWG NO<br>721579006 | REV<br>A |
| PN:<br>SEE ABOVE | SHEET 2 OF 3        |          |



**BOTTOM VIEW  
MOUNTING HOLE PATTERN**

**NOTES:**


- 1 APPLY RTV #739 OR EQUAL TO ALL OPEN HOLES
- 2 SEE WIRING DIAGRAM WD-46276 FOR WIRING DETAILS
- 3 SET LIGHT BARS HOME POSITION PARALLEL TO BASE PLATE WHEN STOWED
- 4 APPLY LOCTITE #242 OR EQUAL TO ALL THREADS UNLESS OTHERWISE NOTED
- 5 APPLY A COAT OF SILICONE GREASE TO RCP MOTOR BORES PRIOR TO SHAFTS BEING INSTALLED

APPROX. WT:  
THIRD ANGLE PROJECTION

UNLESS OTHERWISE SPECIFIED  
DIMENSIONS ARE IN INCHES.  
TOLERANCES ON DECIMALS ANGLES  
0 = ± 0.030 ± 1/2°  
00 = ± 0.015  
000 = ± 0.010  
FRACTIONAL ± 1/64"  
1. ALL INSIDE EDGES TO HAVE  
.005" TO .035" FILLETS.  
2. ALL OUTSIDE EDGES TO HAVE  
.005" TO .015" CHAMFER OR RADIUS.  
125√ ON ALL MACHINED SURFACES

**PROPRIETARY AND CONFIDENTIAL**  
THE INFORMATION CONTAINED IN THIS  
DRAWING IS THE SOLE PROPERTY OF THE  
WILL-BURT COMPANY ANY REPRODUCTION  
IN PART OR WHOLE WITHOUT THE WRITTEN  
PERMISSION OF THE WILL-BURT COMPANY IS  
PROHIBITED.

|              |           |
|--------------|-----------|
| APPROVALS    | DATE      |
| DRAWN<br>RCC | 1/28/2013 |
| CHECKED      |           |

|  |                     |
|--|---------------------|
|  <b>AN EMPLOYEE OWNED COMPANY</b><br>ORRVILLE, OH |                     |
| TITLE<br><b>NS 4.5-920-4x230<br/>SPC LED 24 VDC</b>  |                     |
| SIZE<br>B  | DWG NO<br>721579006 |
| REV<br>A   | PN:<br>SEE ABOVE    |
| SHEET 3 OF 3   |                     |