

4

3

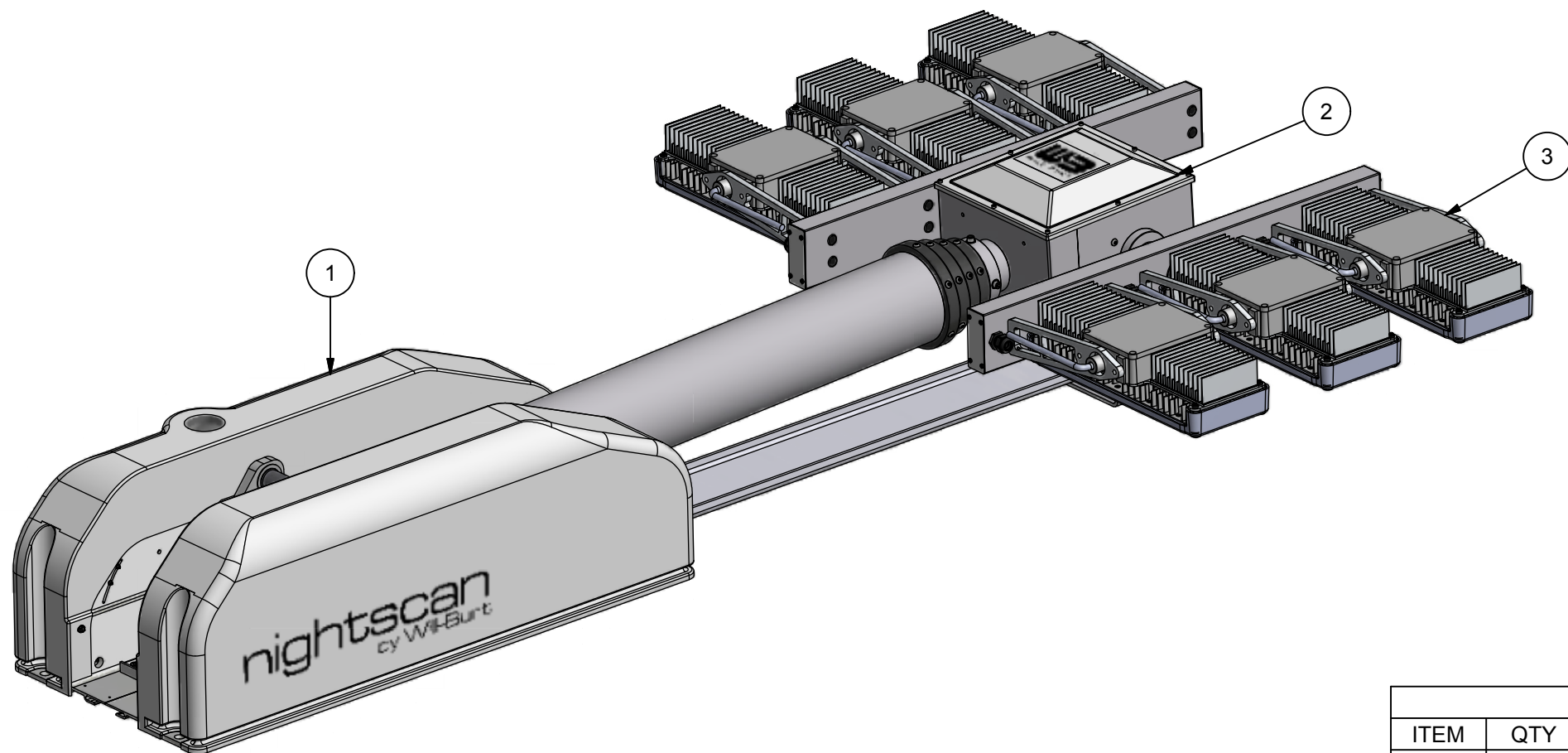
2

1

TABLE		
PART NUMBER	DESCRIPTION	ITEM-3
721579011	NS 4.5 2100 6x350 SPC-MAX LED 120 VAC	4742003
721579012	NS 4.5 2100 6x350 SPC-MAX LED 240 VAC	4742004



REVISION HISTORY				
ECN	REV	DESCRIPTION	DATE	APPROVED
12181	00	INITIAL RELEASE	5/23/2014	RCC
12435	A	Added 721579012	11/3/2014	RCC



BOM			
ITEM	QTY	PART NUMBER	DESCRIPTION
1	1	4627601	BASE ASSEMBLY NSP 15 FT. CLR ADZ
2	1	4742521	RCP ASSEMBLY NSP STD NO-SHAFTS CLR
3	1	SEE TABLE	LIGHT, KIT SPC-MAX 2100 (6X350W)
4	1	4706703	LABEL KIT-CLEAR CE (NOT SHOWN)
5	1	TP-4723701	NSP MANUAL CD (NOT SHOWN)
6	1	WD-46276	WIRING DIAGRAM

UNLESS OTHERWISE SPECIFIED DIMENSIONS ARE IN INCHES.
 TOLERANCES ON DECIMALS ANGLES
 0 = ± 0.030 ± 1°
 00 = ± 0.020
 000 = ± 0.015

1. ALL INSIDE EDGES TO HAVE .005" TO .035" FILLETS.
 2. ALL OUTSIDE EDGES TO HAVE .005" TO .015" CHAMFER OR RADIUS.
 125° ON ALL MACHINED SURFACES

PROPRIETARY AND CONFIDENTIAL
 THE INFORMATION CONTAINED IN THIS DRAWING IS THE SOLE PROPERTY OF THE WILL-BURT COMPANY ANY REPRODUCTION IN PART OR WHOLE WITHOUT THE WRITTEN PERMISSION OF THE WILL-BURT COMPANY IS PROHIBITED.

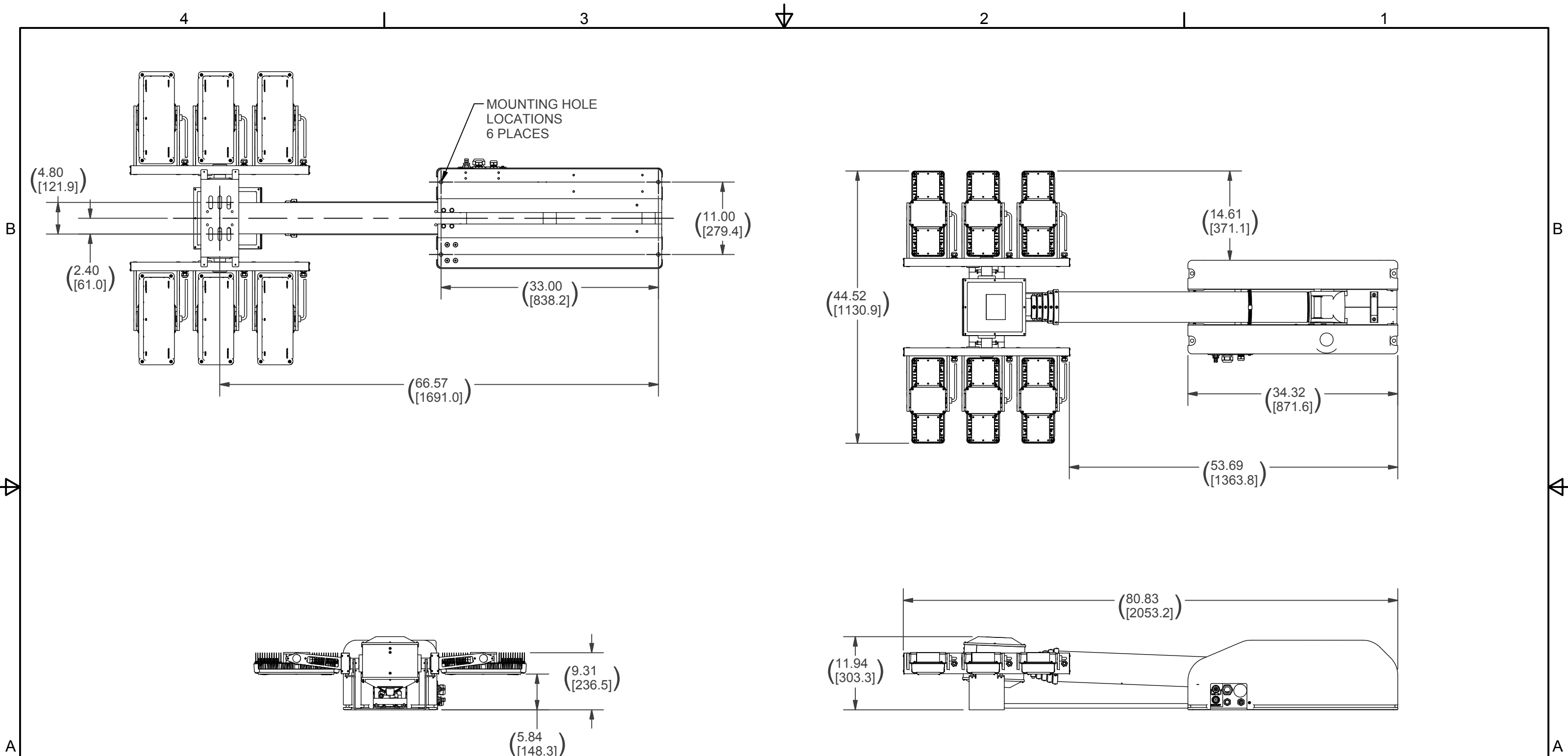
WILL-BURT AN EMPLOYEE OWNED COMPANY
 ORRVILLE, OH

TITLE
NS 4.5 2100 6x350 SPC-MAX LED 120 VAC

APPROX. WT:N/A
 THIRD ANGLE PROJECTION

APPROVALS	DATE
DRAWN RCC	5/23/2014
CHECKED	

SIZE	DWG NO	REV
B	721579011	A
PN: SEE TABLE		SHEET 1 OF 2



APPROX. WT:N/A

THIRD ANGLE PROJECTION

UNLESS OTHERWISE SPECIFIED DIMENSIONS ARE IN INCHES.

TOLERANCES ON DECIMALS ANGLES

0 = ± 0.030 ± 1°

00 = ± 0.020

000 = ± 0.015

1. ALL INSIDE EDGES TO HAVE .005" TO .035" FILLETS.

2. ALL OUTSIDE EDGES TO HAVE .005" TO .015" CHAMFER OR RADIUS.

$\sqrt[125]{}$ ON ALL MACHINED SURFACES

PROPRIETARY AND CONFIDENTIAL

THE INFORMATION CONTAINED IN THIS DRAWING IS THE SOLE PROPERTY OF THE WILL-BURT COMPANY ANY REPRODUCTION IN PART OR WHOLE WITHOUT THE WRITTEN PERMISSION OF THE WILL-BURT COMPANY IS PROHIBITED.

APPROVALS	DATE
DRAWN RCC	5/23/2014
CHECKED	

W3 AN EMPLOYEE OWNED COMPANY
WILL-BURT ORRVILLE, OH

TITLE
NS 4.5 2100 6x350 SPC-MAX LED 120 VAC

SIZE B	DWG NO 721579011	REV A
PN: SEE TABLE		SHEET 2 OF 2