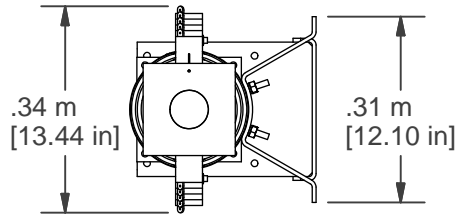


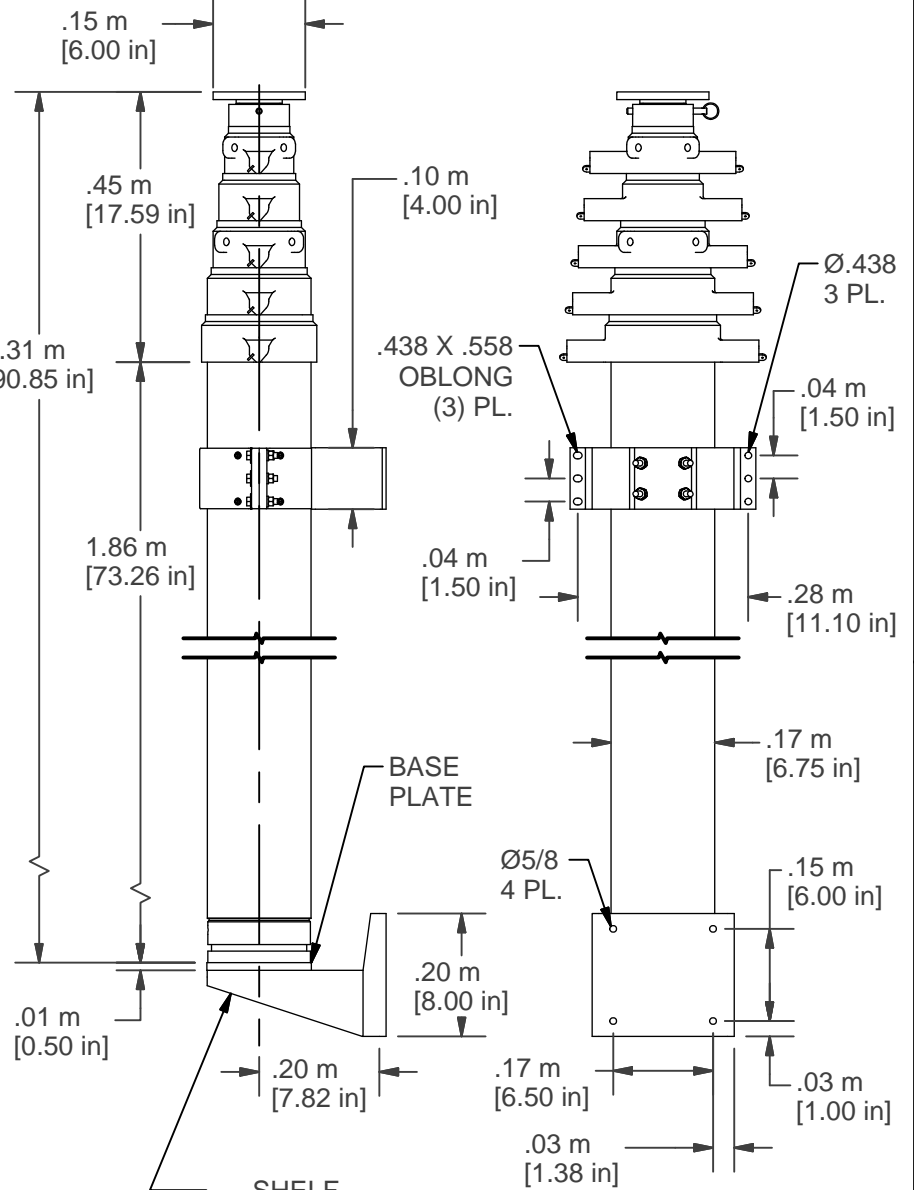
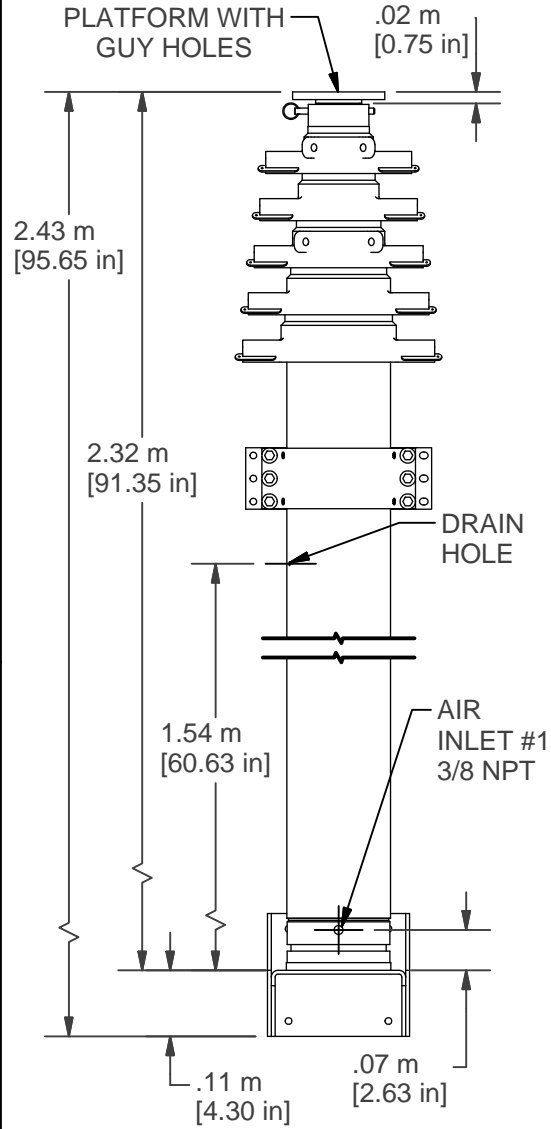
2

1



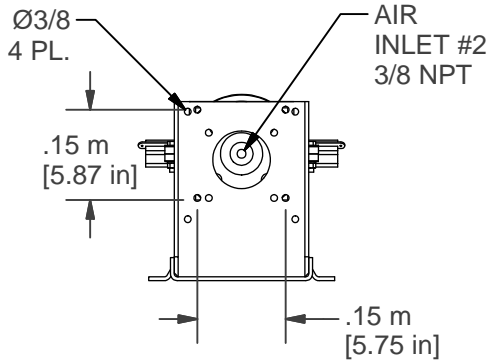
B

B



A

A



PROPRIETARY AND CONFIDENTIAL
 THE INFORMATION CONTAINED IN THIS DRAWING IS THE SOLE PROPERTY OF THE WILL-BURT COMPANY ANY REPRODUCTION IN PART OR WHOLE WITHOUT THE WRITTEN PERMISSION OF THE WILL-BURT COMPANY IS PROHIBITED.



AN EMPLOYEE OWNED COMPANY
 WILL-BURT
 ORRVILLE, OH

UNLESS OTHERWISE SPECIFIED DIMENSIONS ARE IN INCHES

TITLE **PNEUMATIC MAST
 INSTALLATION DIMENSIONS**

ALL DIMENSIONS ARE REFERENCE
 THIRD ANGLE PROJECTION

MODEL **2.3M-10M-468 WB**

JULY 2009

2

1

