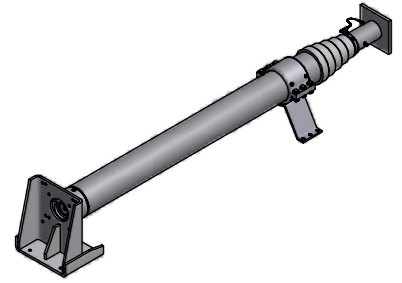
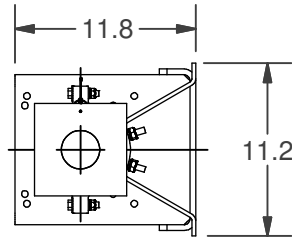


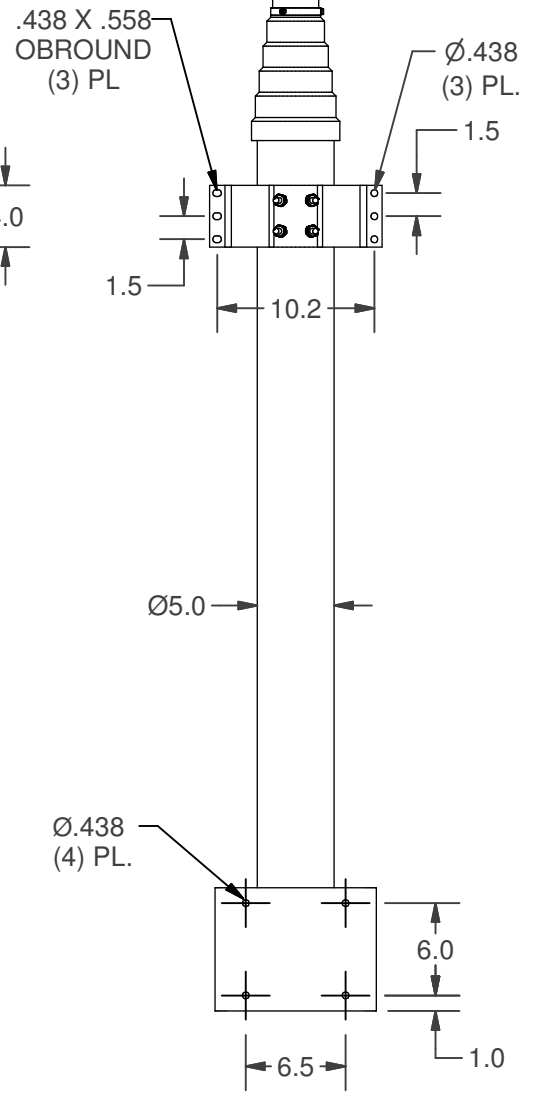
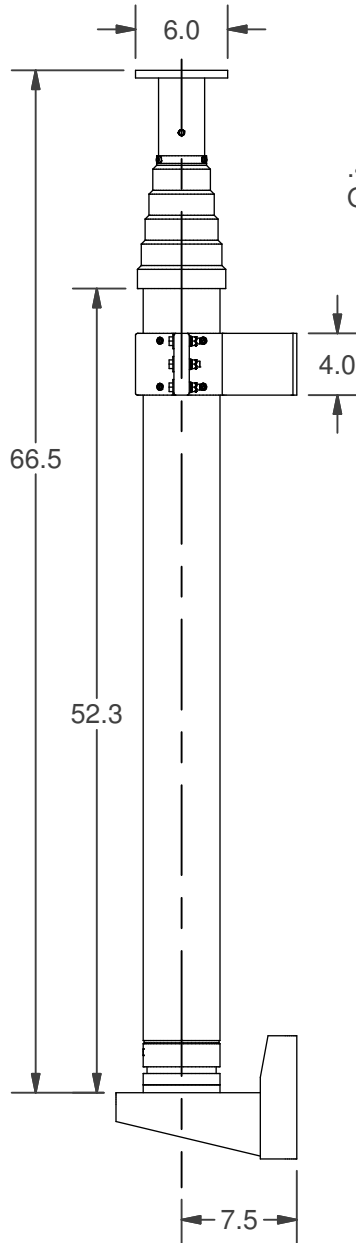
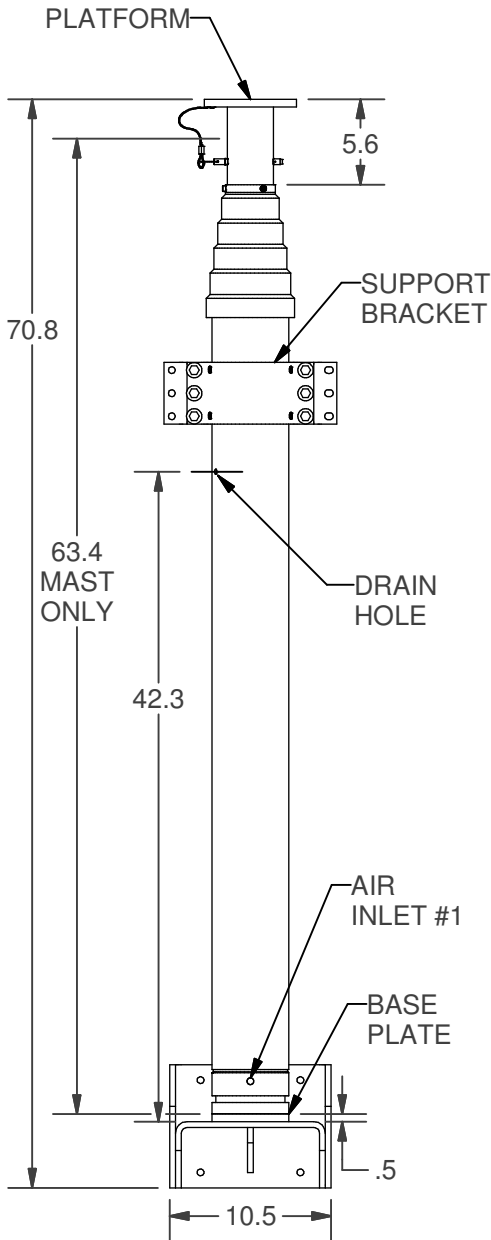
2

1



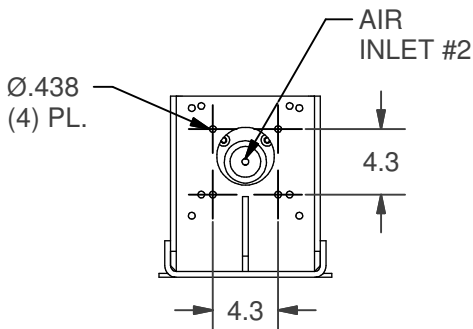
B

B



A

A



PROPRIETARY AND CONFIDENTIAL
 THE INFORMATION CONTAINED IN THIS DRAWING IS THE SOLE PROPERTY OF THE WILL-BURT COMPANY ANY REPRODUCTION IN PART OR WHOLE WITHOUT THE WRITTEN PERMISSION OF THE WILL-BURT COMPANY IS PROHIBITED.



AN EMPLOYEE OWNED COMPANY
 WILL-BURT
 ORRVILLE, OH

UNLESS OTHERWISE SPECIFIED DIMENSIONS ARE IN INCHES
 ALL DIMENSIONS ARE REFERENCE
 THIRD ANGLE PROJECTION

TITLE
**PNEUMATIC MAST
 INSTALLATION DIMENSIONS**

MODEL
5-20-168

JANUARY-2015

2

1