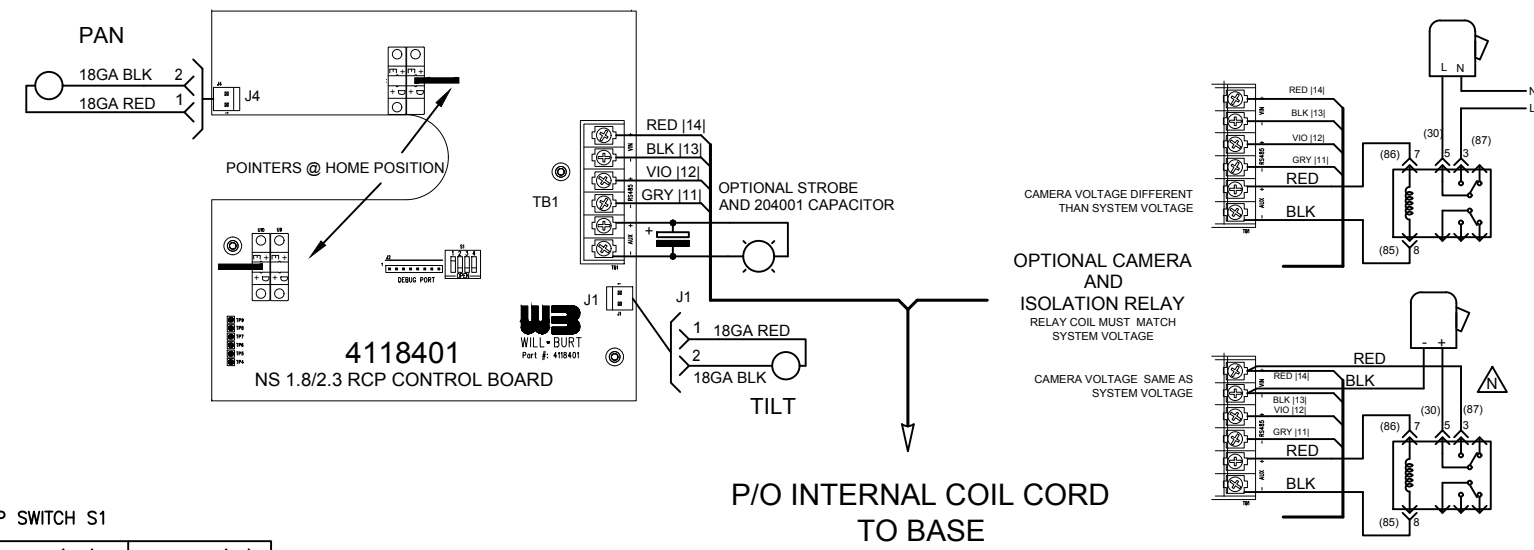
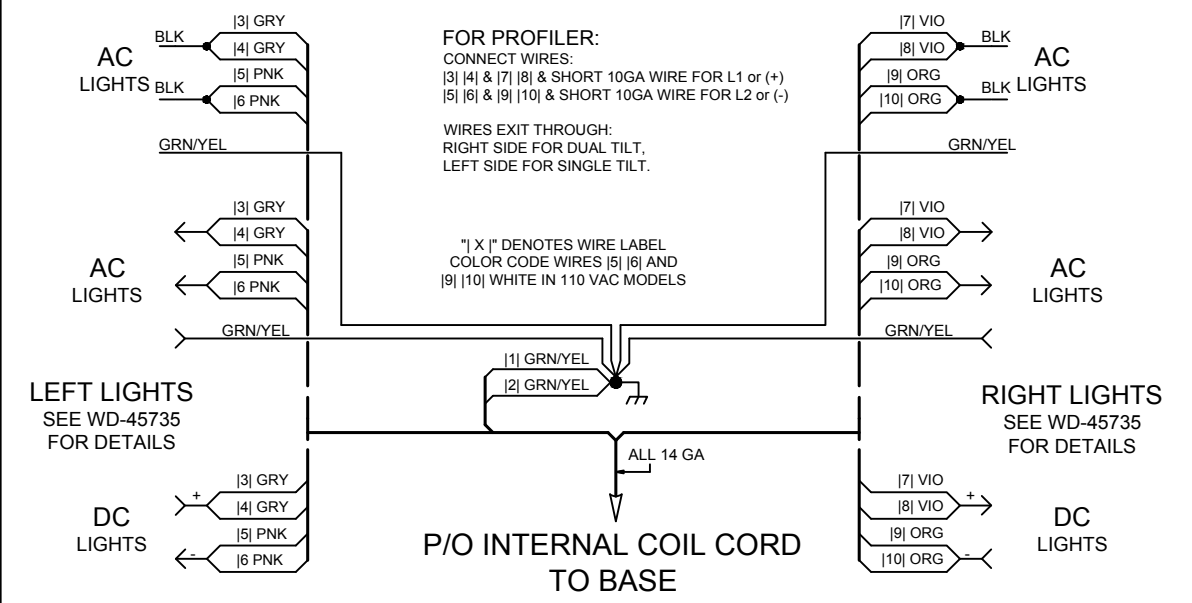




REVISIONS				
ECN	REV	DESCRIPTION	DATE	BY/APPL
12247	J	ADD WIRING DETAILS FOR 12V COMPRESSOR	06-19-14	DJB/AW
12339	K	ADD NOTE FOR NEW CABLE	08-20-14	DJB/AW
12580	L	ADD CHIEF WIRING DETAILS FROM DWG 46066	03/02/15	DJB/AW
12746	M	ADD DTEC II WIRING DETAILS FOR INFLEXION PLUS	05-28-15	DJB/AW
12827	N	CHANGE CAMERA POWER WIRING, WAS 87 TO 86	07-28-15	DJB/AW

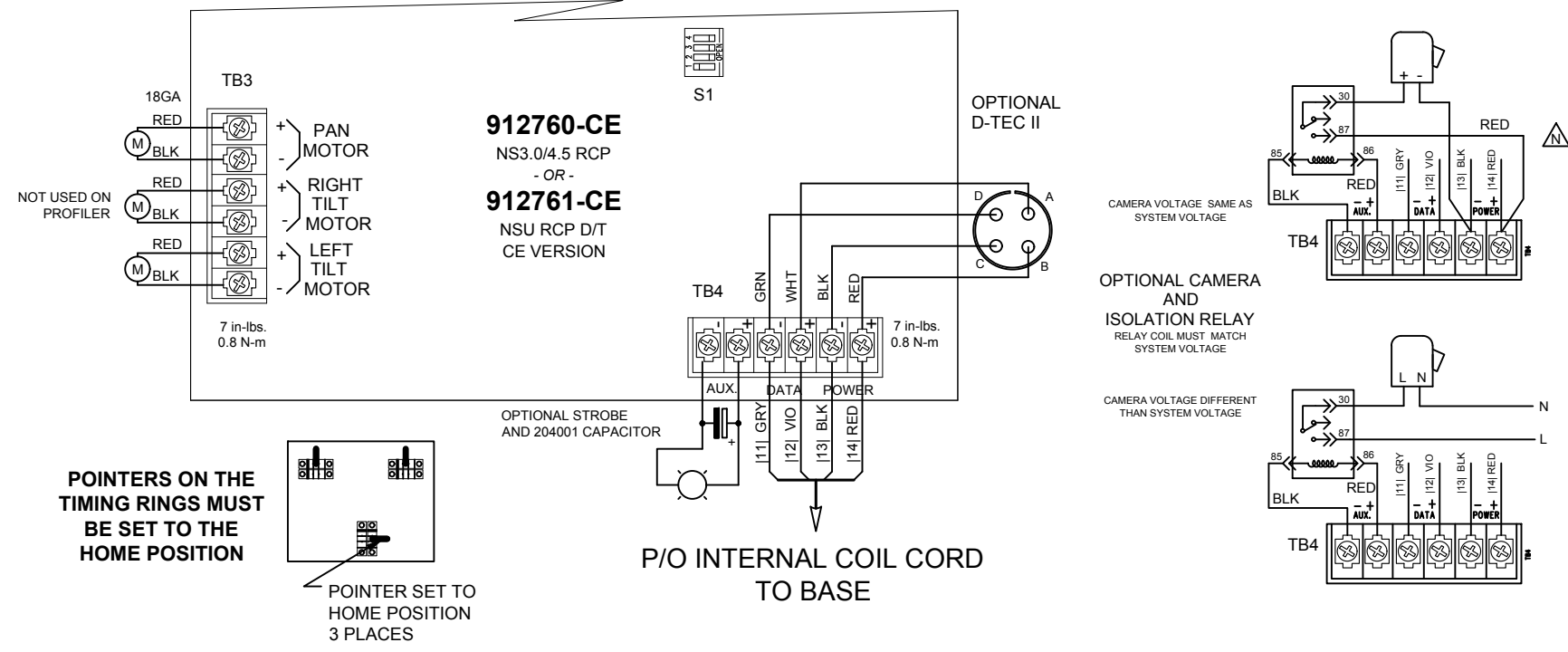
# LIGHT POWER WIRING



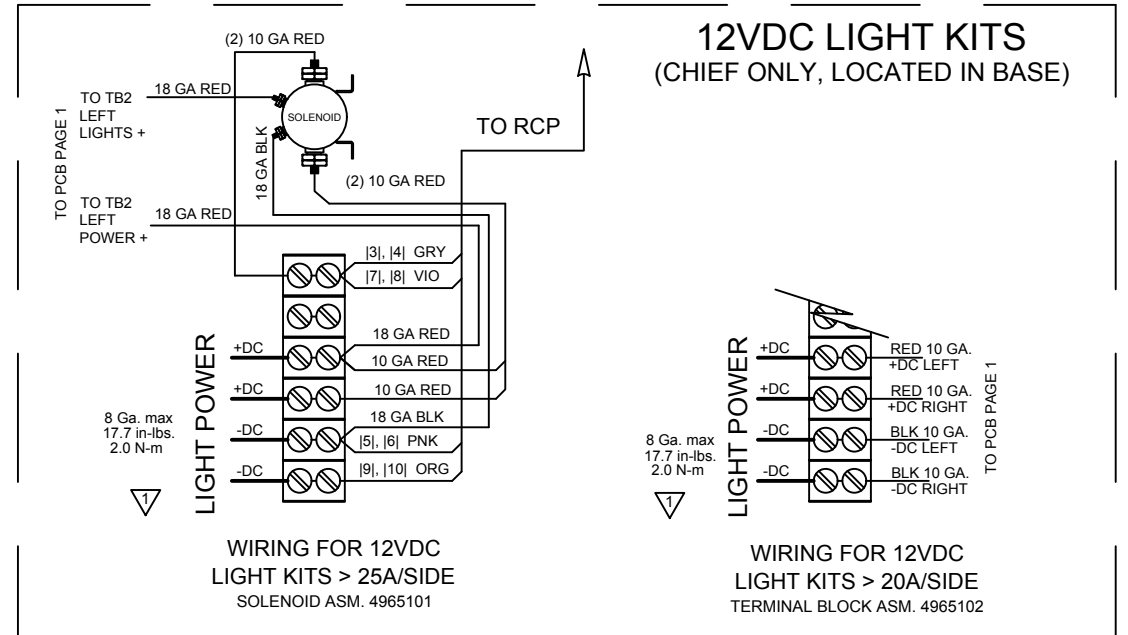
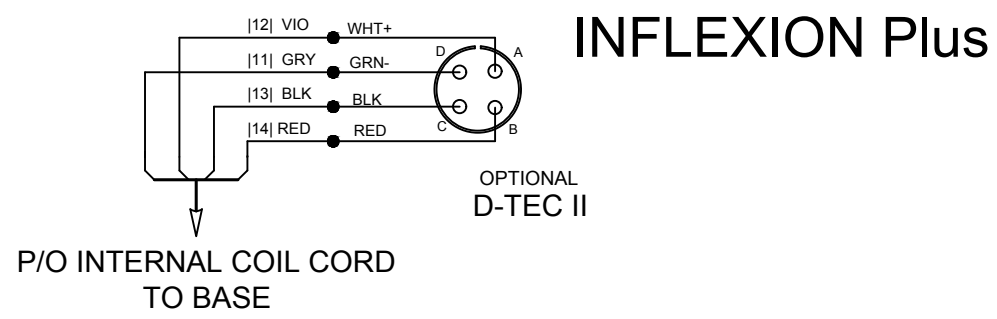
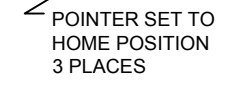
## SINGLE-TILT RCP DUAL-TILT RCP

RCP DIP SWITCH S1

POS	OPEN (OFF)	CLOSED (ON)
1	STOP ON FAULT	STOW ON FAULT
2	NOT PROFILER	PROFILER
3	STOW WHILE LOWERING	STOW BEFORE LOWERING
4	DEFAULT	FACTORY ONLY



POINTERS ON THE TIMING RINGS MUST BE SET TO THE HOME POSITION



MATERIAL NS Universal.DWG	UNLESS OTHERWISE SPECIFIED DIMENSIONS ARE IN INCHES  TOLERANCES ON: DECIMALS ANGLES 0 = ± 0.000 ± 1/2° 0.000 = ± 0.000 ± 1/2° FRACTIONS ± BREAK ALL SHARP CORNERS 125° ON ALL MACHINED SURFACES	THIS DOCUMENT CONTAINS PROPRIETARY INFORMATION AND SHALL NOT BE USED OR REPRODUCED OR ITS CONTENTS DISCLOSED IN WHOLE OR IN PART, WITHOUT THE PRIOR WRITTEN CONSENT OF THE WILL-BURT COMPANY.  FOR LOGISTICAL SUPPORT ONLY SIGNATURE DATE DR.BY DJB CK.BY JMK APP.BY	AN EMPLOYEE OWNED COMPANY ORRVILLE, OHIO <b>WILL-BURT</b> NightScan Products, roof-mount WITH 4311701 UNIVERSAL CONTROL RCP WIRING SIZE DWG. No. <b>B</b> WD-46276 SCALE NTS SHEET 2 OF 2
------------------------------	---	--	--