

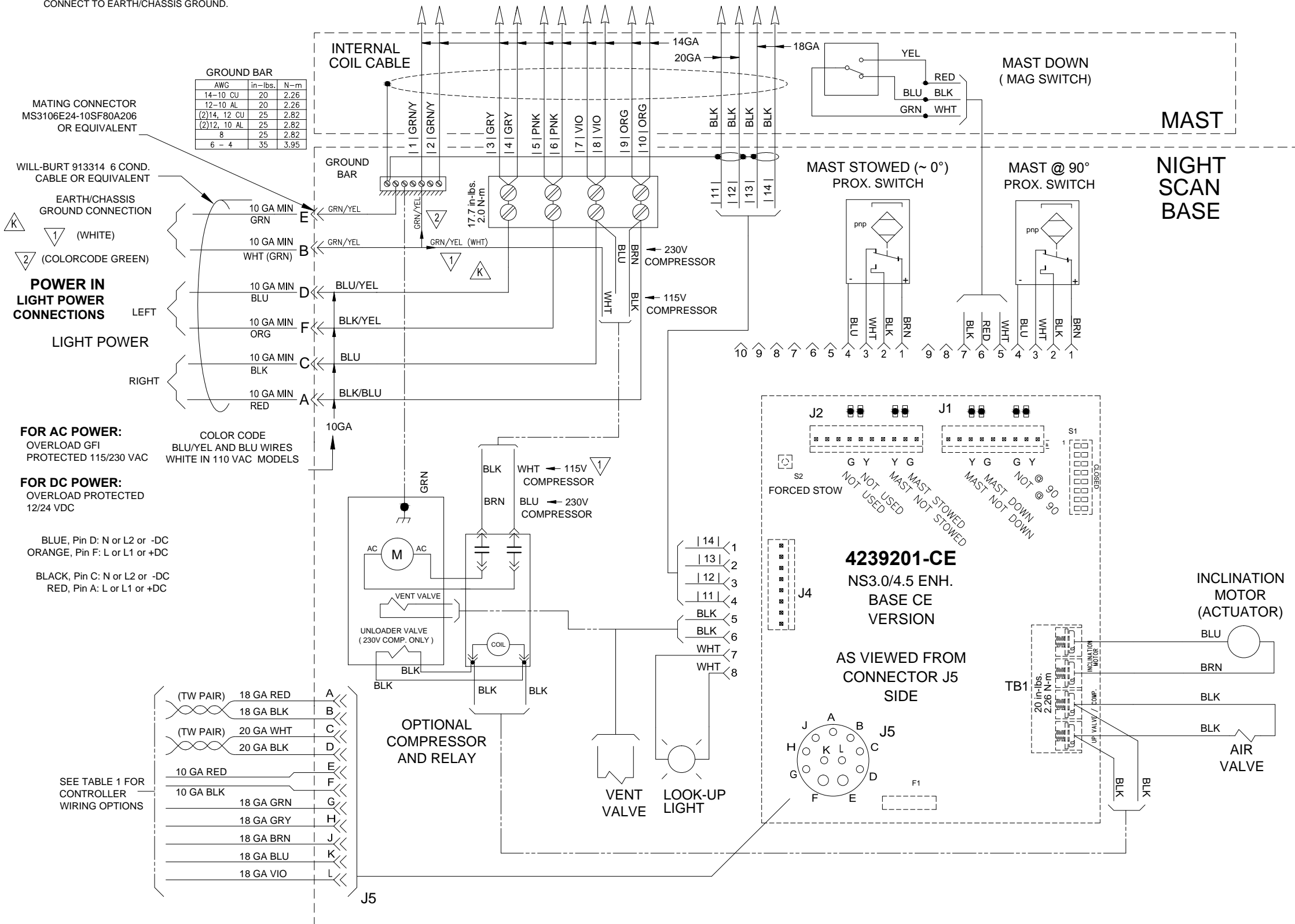
NOTES

1 SYSTEMS USING 115VAC COMPRESSOR WITH 230VAC LIGHTS REQUIRE A NEUTRAL FROM THE EXTERNAL POWER SOURCE. THIS IS ACHIEVED BY CONNECTING (B) WHITE WIRE TO SYSTEM NEUTRAL, AND COLOR CODING INTERNAL GREEN/YELLOW (B) WHITE AND CONNECT TO COMPRESSOR RELAY.

2 FOR SYSTEMS WITHOUT 115VAC COMPRESSOR, COLOR CODE WHITE WIRE (B) GREEN AND CONNECT TO EARTH/CHASSIS GROUND.

REVISIONS				
ECN	REV	DESCRIPTION	DATE	BY/APPVL
9820	F	ADD CAPACITOR TO AUX OUTPUT FOR STROBE OPTION (PAGE 5)	01-27-10	DJB/JDN
9930	G	PAGE 4: ADD DIPSWITCH 6 NESTED RELAY FUNCTION	03-25-10	DJB/JDN
10165	H	ADD LINE FILTERS AND FUSES IN LIGHT POWER CIRCUIT (PAGE 4)	08-18-10	DJB/JDN
10217	J	MOVE PAGES 1-3 (J-BOX WIRING) TO NEW DRAWINGS, ADD TABLE 1. DELETE LINE FILTERS AND FUSES. ADD OPTIONAL CAMERA ISOLATION RELAY. ADD COIL CORD WIRE COLORS.	10-05-10	DJB/JDN
10580	K	ADD NOTES FOR 130VAC COMPRESSOR WIRING.	06-29-11	DJB/JA

TO RCP



GROUND BAR

AWG	in-lbs.	N-m
14-10 CU	20	2.26
12-10 AL	20	2.26
(2)14, 12 CU	25	2.82
(2)12, 10 AL	25	2.82
8	25	2.82
6-4	35	3.95

MATING CONNECTOR MS3106E24-10SF80A206 OR EQUIVALENT

WILL-BURT 913314 6 COND. CABLE OR EQUIVALENT

EARTH/CHASSIS GROUND CONNECTION

1 (WHITE)

2 (COLORCODE GREEN)

POWER IN LIGHT POWER CONNECTIONS

LEFT

RIGHT

FOR AC POWER:
OVERLOAD GFI PROTECTED 115/230 VAC

FOR DC POWER:
OVERLOAD PROTECTED 12/24 VDC

BLUE, Pin D: N or L2 or -DC
ORANGE, Pin F: L or L1 or +DC

BLACK, Pin C: N or L2 or -DC
RED, Pin A: L or L1 or +DC

COLOR CODE
BLU/YEL AND BLU WIRES
WHITE IN 110 VAC MODELS

SEE TABLE 1 FOR CONTROLLER WIRING OPTIONS

(TW PAIR) 18 GA RED	A
18 GA BLK	B
(TW PAIR) 20 GA WHT	C
20 GA BLK	D
10 GA RED	E
10 GA BLK	F
18 GA GRN	G
18 GA GRY	H
18 GA BRN	J
18 GA BLU	K
18 GA VIO	L

TABLE 1
CONTROLLER WIRING

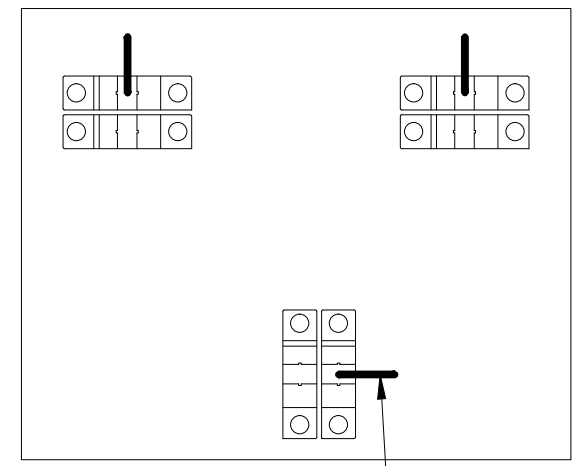
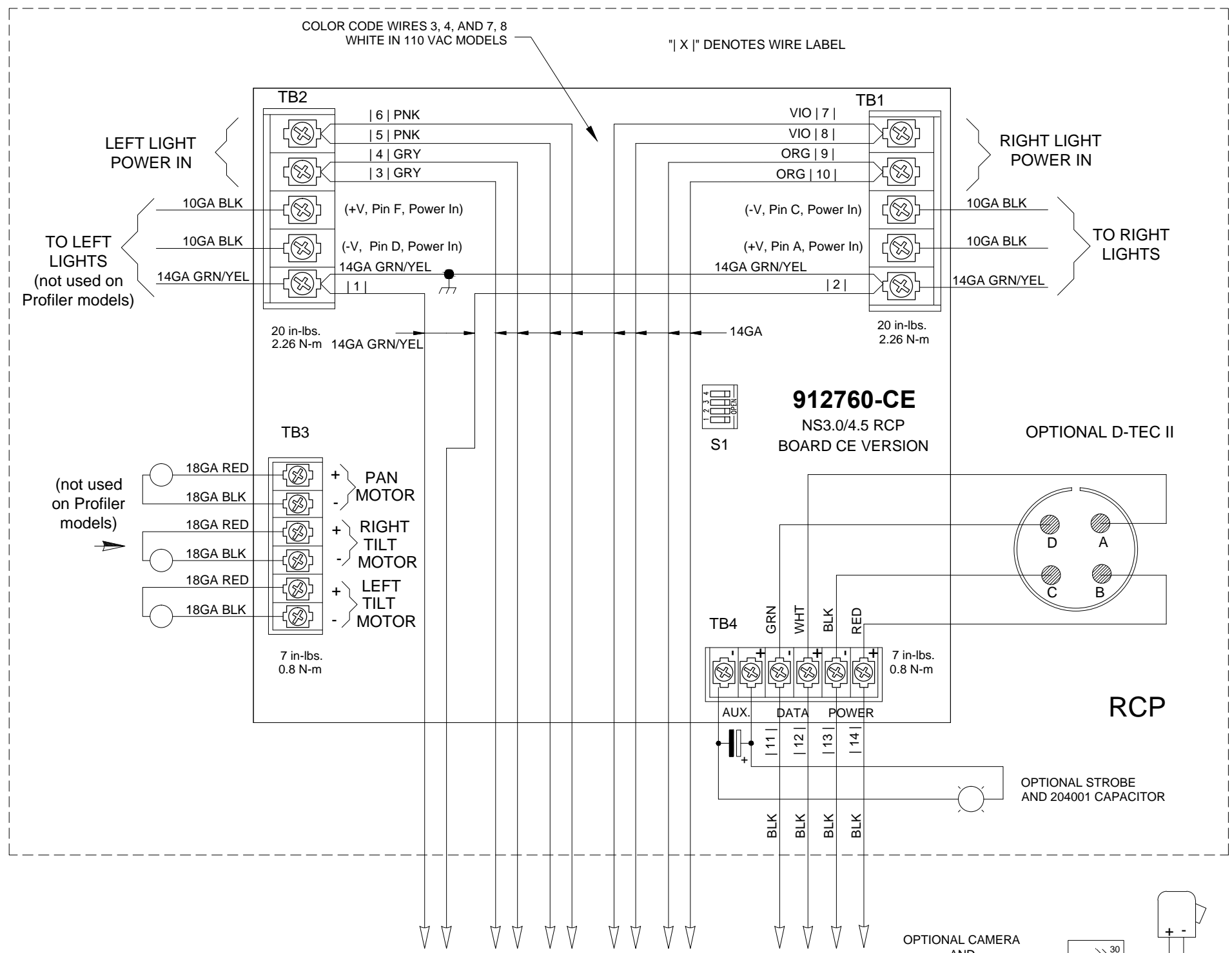
APPLICATION	TYPE	DRAWING
SINGLE HARD-WIRED PANEL MOUNT	NFPA	WD-72101
SINGLE HARD-WIRED J-BOX	NFPA	WD-72102
	STANDARD	WD-72103
HARD-WIRED J-BOX & PANEL MOUNT	NFPA	WD-72104
TWO HARD-WIRED J-BOXES	NFPA	WD-72105
	STANDARD	WD-72106
WIRELESS J-BOX	BOTH	WD-72107
WIRELESS J-BOX & PANEL MOUNT	NFPA	WD-72108
WIRELESS & HARD-WIRED J-BOX	NFPA	WD-72109
	STANDARD	WD-72110

TABLE 2
BASE DIP SWITCH S1

POS	OPEN	CLOSED
1	D-TEC II ABSENT	D-TEC II PRESENT
2	ROOF MOUNT	VERTICAL MAST
3	RCP	NO RCP
4	WELL COVER ABSENT	WELL COVER PRESENT
5	NFPA	STANDARD
6	P5 J,K CLOSED WHEN NESTED	P5 J,K OPEN WHEN NESTED
7	UNUSED	UNUSED
8	FACTORY USE ONLY	FACTORY USE ONLY

MATERIAL Powerlite Roofmount Wiring2.dwg	THIS DOCUMENT CONTAINS PROPRIETARY INFORMATION AND SHALL NOT BE USED OR REPRODUCED OR ITS CONTENTS DISCLOSED IN WHOLE OR IN PART, WITHOUT THE PRIOR WRITTEN CONSENT OF THE WILL-BURT COMPANY.	AN EMPLOYEE OWNED COMPANY ORRVILLE, OHIO NEXT ASSY
FINISH		
	SIGNATURE DR. BY DJB CK. BY JN APP. BY	DATE 04-10-08 04-14-08
	SIZE B	DWG. No. 42690
	SCALE NTS	SHEET 1 OF 2

REVISIONS				
ECN	REV	DESCRIPTION	DATE	BY/APPVL
9820	F	ADD CAPACITOR TO AUX OUTPUT FOR STROBE OPTION (PAGE 5)	01-27-10	DJB/JDN
9930	G	PAGE 4: ADD DIPSWITCH 6 NESTED RELAY FUNCTION	03-25-10	DJB/JDN
10165	H	ADD LINE FILTERS AND FUSES IN LIGHT POWER CIRCUIT (PAGE 4)	08-18-10	DJB/JDN
10217	J	MOVE PAGES 1-3 (J-BOX WIRING) TO NEW DRAWINGS, ADD TABLE 1. DELETE LINE FILTERS AND FUSES. ADD OPTIONAL CAMERA ISOLATION RELAY. ADD COIL CORD WIRE COLORS.	10-05-10	DJB/JDN
10580	K	ADD NOTES FOR 130VAC COMPRESSOR WIRING.	06-29-11	DJB/JA



POINTER SET TO HOME POSITION 3 PLACES

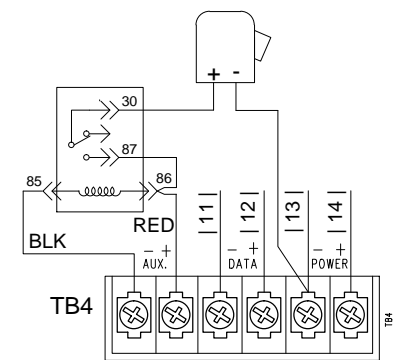
POINTERS ON THE TIMING RINGS MUST BE SET TO THE HOME POSITION

RCP DIP SWITCH S1

POS	OPEN	CLOSED
1	STOP ON FAULT	STOW ON FAULT
2	NOT PROFILER	PROFILER
3	UNUSED	UNUSED
4	UNUSED	UNUSED

TO MAST

OPTIONAL CAMERA AND ISOLATION RELAY
RELAY COIL AND CAMERA VOLTAGE MUST MATCH SYSTEM VOLTAGE



MATERIAL Powerlite Roofmount Wiring2.dwg	THIS DOCUMENT CONTAINS PROPRIETARY INFORMATION AND SHALL NOT BE USED OR REPRODUCED OR ITS CONTENTS DISCLOSED IN WHOLE OR IN PART, WITHOUT THE PRIOR WRITTEN CONSENT OF THE WILL-BURT COMPANY.		AN EMPLOYEE OWNED COMPANY ORRVILLE, OHIO NEXT ASSY	
			NS 3.0/4.5 ROOF MOUNT WITH 4239201-CE CONTROL RCP WIRING	
FINISH	FOR LOGISTICAL SUPPORT ONLY		SIZE	DWG. No.
	SIGNATURE	DATE	B	42690
	DR.BY DJB	04-10-08		
	CK.BY JN	04-14-08		
APP.BY		SCALE	NTS	SHEET 2 OF 2