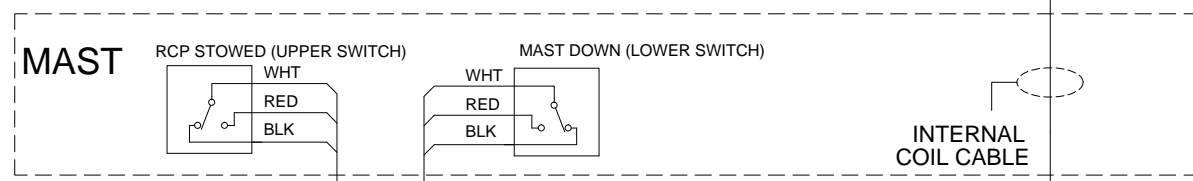
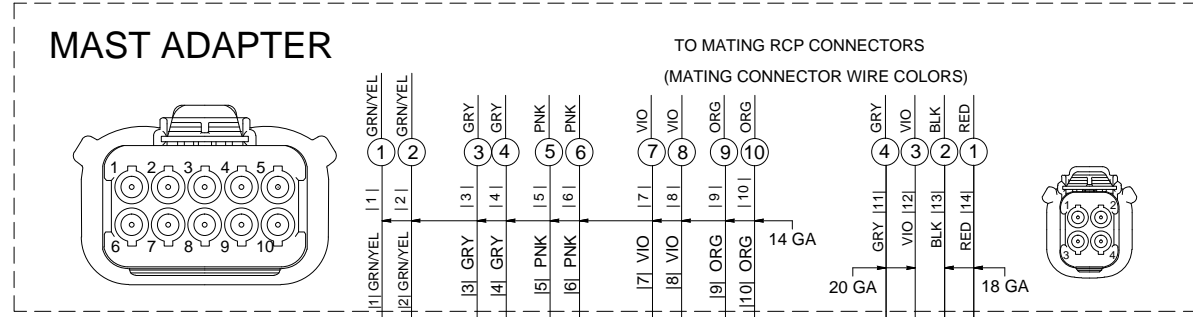


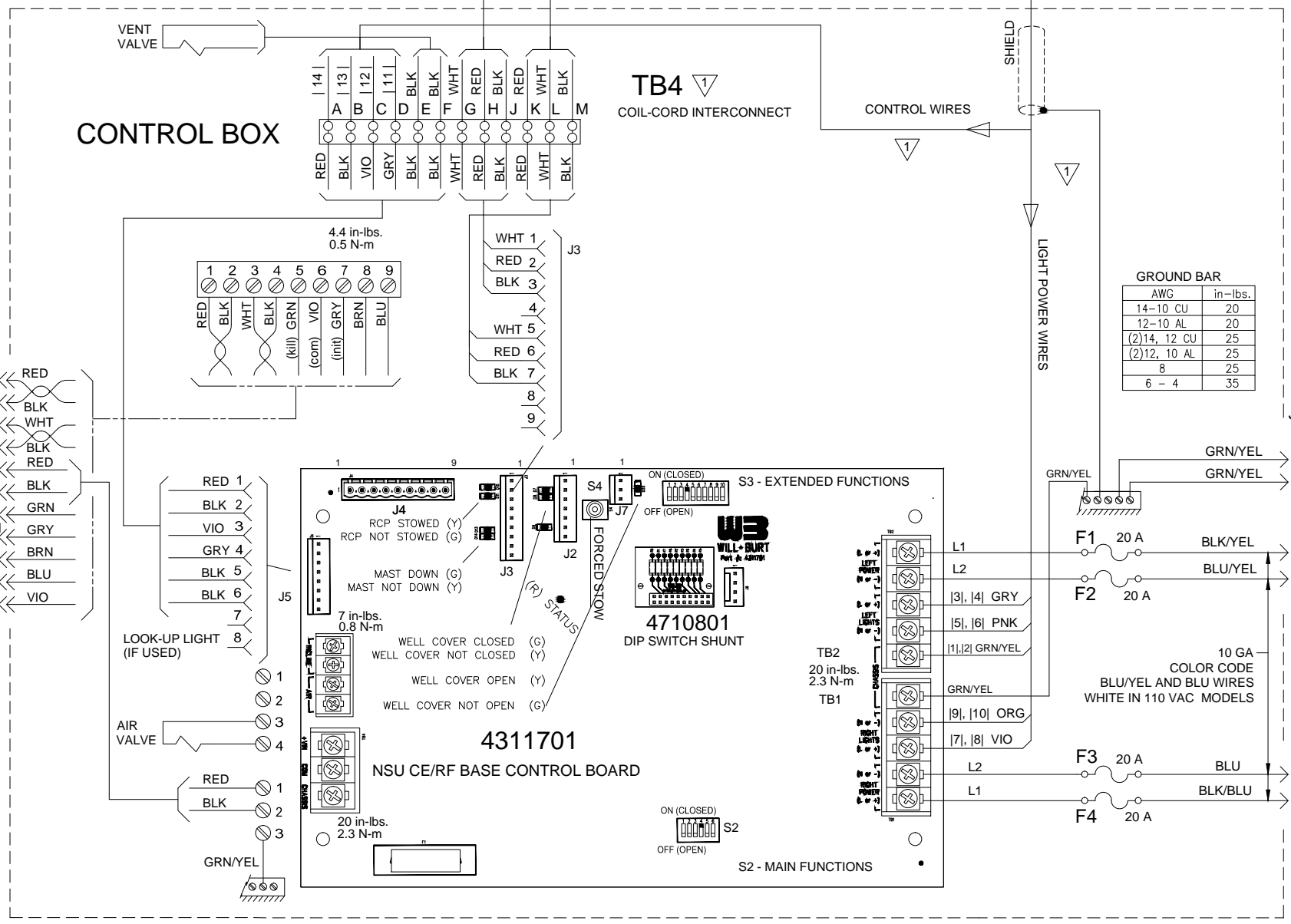
REVISIONS				
ECN	REV	DESCRIPTION	DATE	BY/APPVL
11169	00	NEW RELEASE	08-02-12	DJB/JMK



NOTES:
1. INSTALLER CONNECTIONS.

TABLE 1
JUNCTION BOX WIRING

APPLICATION	TYPE	DRAWING
SINGLE HARD-WIRED PANEL MOUNT	NFPA	WD-72021
SINGLE HARD-WIRED J-BOX	NFPA	WD-72022
	STANDARD	WD-72023
TWO HARD-WIRED J-BOXES	NFPA	WD-72025
	STANDARD	WD-72026



CONTROL LINES, DC POWER
SEE TABLE 1

PLUG, 11 PIN, CA3106E24-20S-F80-A-206

BASE DIP SWITCH S3: EXTENDED FUNCTIONS

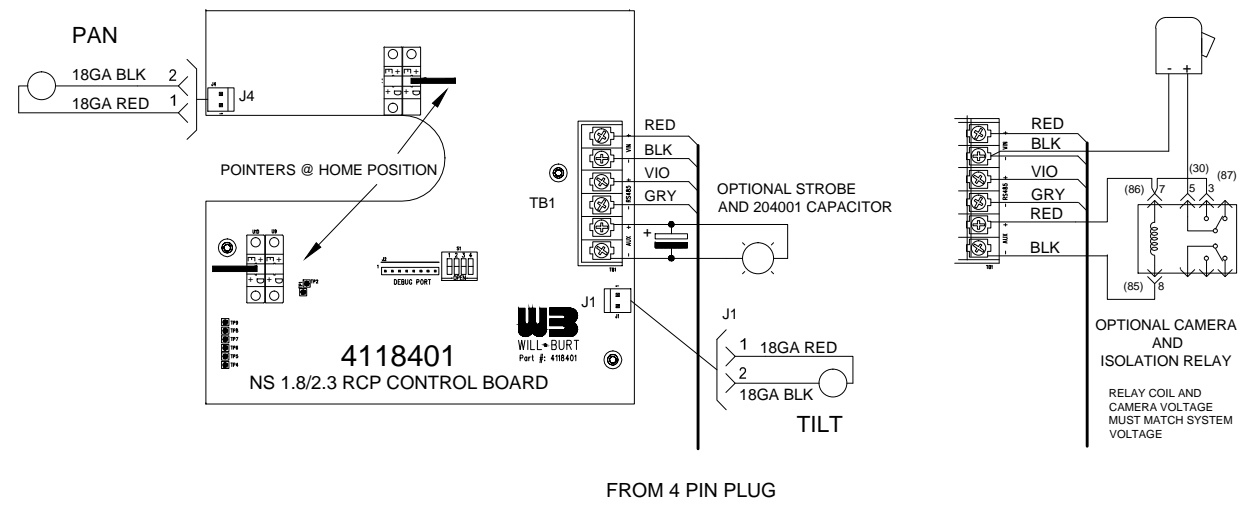
POS	OFF (OPEN)	ON (CLOSED)
1	NO D-TEC	D-TEC PRESENT
2	NO WELL COVER/HATCH	WELL COVER/HATCH PRESENT
3	-	-
4	-	DEFAULT
5-10	-	-

BASE DIP SWITCH S2: MAIN FUNCTIONS

POS	OFF (OPEN)	ON (CLOSED)
1	J4 8,9 CLOSED WHEN NESTED	J4 8,9 OPEN WHEN NESTED
2	NFPA MODE	STANDARD
3	RCP	NO RCP
4	ROOF MOUNT	VERTICAL
5	UNUSED	UNUSED
6	NORMAL	DO NOT USE

MATERIAL NS Universal.DWG	UNLESS OTHERWISE SPECIFIED DIMENSIONS ARE IN INCHES TOLERANCES ON: DECIMALS ANGLES 0 = ± 1/2" 00 = ± 000 = ± FRACTIONS = BREAK ALL SHARP CORNERS 1/25" ON ALL MACHINED SURFACES	THIS DOCUMENT CONTAINS PROPRIETARY INFORMATION AND SHALL NOT BE USED OR REPRODUCED OR ITS CONTENTS DISCLOSED IN WHOLE OR IN PART, WITHOUT THE PRIOR WRITTEN CONSENT OF THE WILL-BURT COMPANY. FOR LOGISTICAL SUPPORT ONLY SIGNATURE DATE DR. BY DJB CK. BY JN APP. BY	AN EMPLOYEE OWNED COMPANY ORRVILLE, OHIO NEXT ASSY DESC. NS UNIVERSAL VERTICAL WITH 4311703 CONTROL BASE WIRING SIZE DWG. No. B WD-43437 SCALE NTS SHEET 1 OF 2

REVISIONS				
ECN	REV	DESCRIPTION	DATE	BY/APPVL
11169	00	NEW RELEASE	08-02-12	DJB/JMK

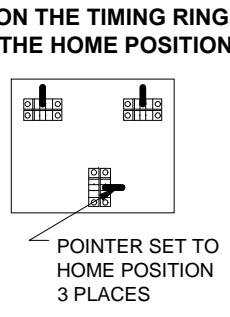
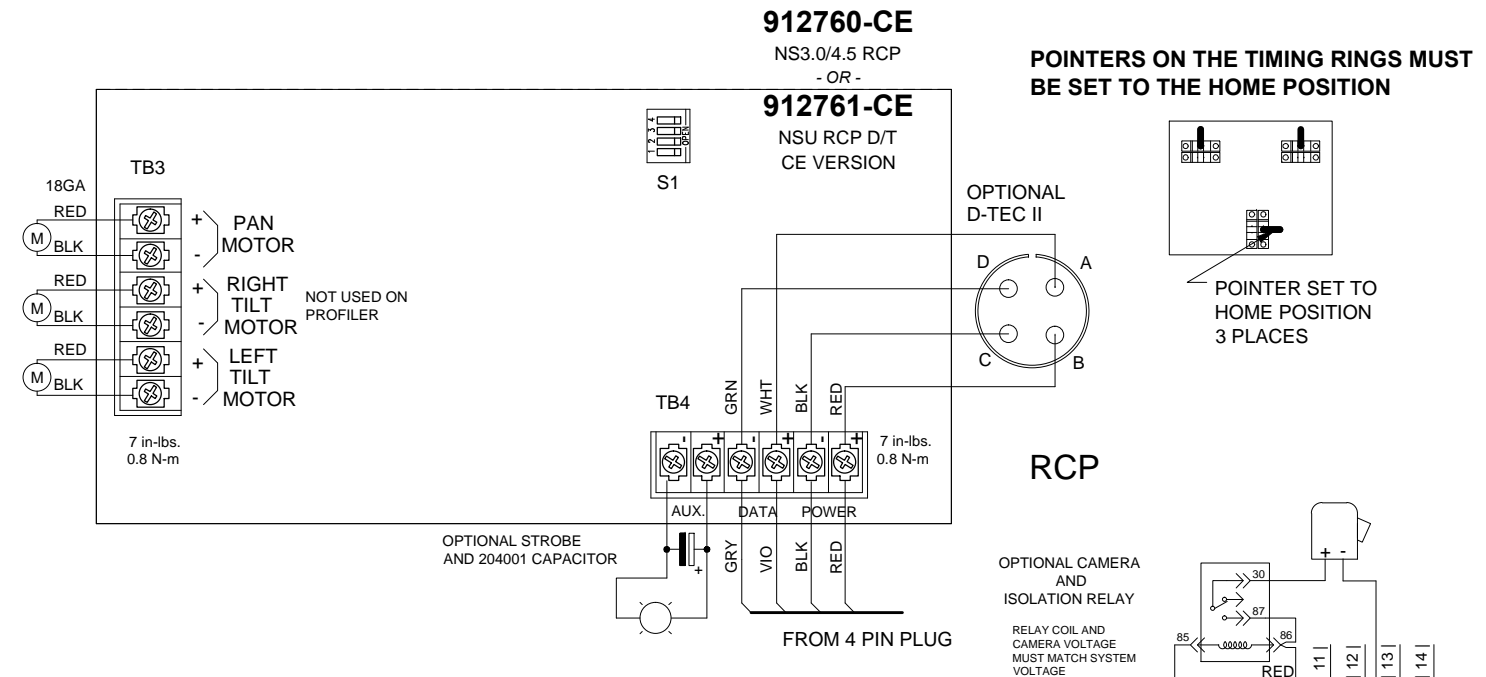
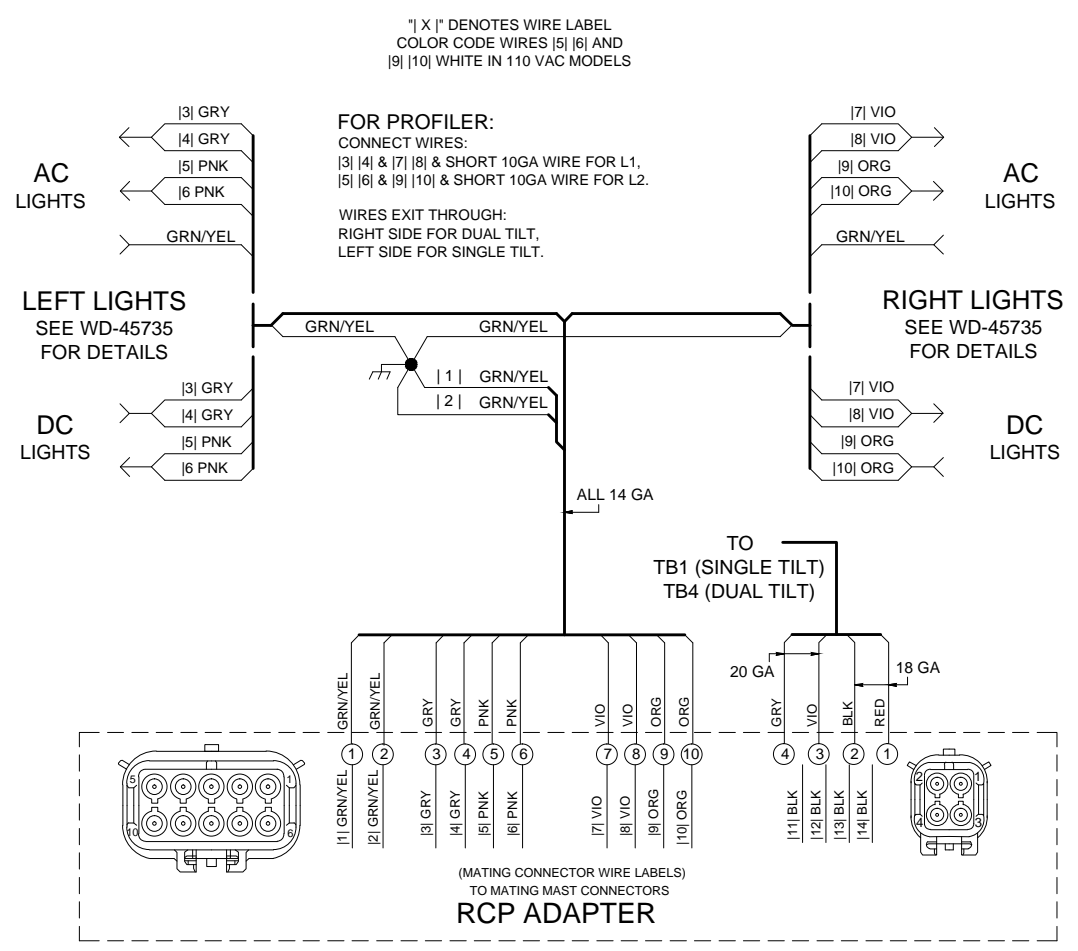


RCP DIP SWITCH S1

POS	OPEN	CLOSED
1	STOP ON FAULT	STOW ON FAULT
2	RCP	POSITIONER
3	STOW WHILE LOWERING	STOW BEFORE LOWERING
4	UNUSED	UNUSED

SINGLE-TILT RCP

LIGHT POWER WIRING



DUAL-TILT RCP

RCP DIP SWITCH S1

POS	OPEN	CLOSED
1	STOP ON FAULT	STOW ON FAULT
2	NOT PROFILER	PROFILER
3	UNUSED	UNUSED
4	UNUSED	UNUSED

MATERIAL NS Universal.DWG	UNLESS OTHERWISE SPECIFIED DIMENSIONS ARE IN INCHES TOLERANCES ON: DECIMALS ANGLES 0 = ± 0.005 00 = ± 0.002 000 = ± 0.001 FRACTIONS ± BREAK ALL SHARP CORNERS 1/25" ON ALL MACHINED SURFACES	THIS DOCUMENT CONTAINS PROPRIETARY INFORMATION AND SHALL NOT BE USED OR REPRODUCED OR ITS CONTENTS DISCLOSED IN WHOLE OR IN PART, WITHOUT THE PRIOR WRITTEN CONSENT OF THE WILL-BURT COMPANY. FOR LOGISTICAL SUPPORT ONLY SIGNATURE DATE DR.BY DJB CK.BY JN APP.BY	AN EMPLOYEE OWNED COMPANY ORRVILLE, OHIO NEXT ASS'Y DESC. NS UNIVERSAL VERTICAL WITH 4311703 CONTROL RCP WIRING SIZE B DWG. No. WD-43437 SCALE NTS SHEET 2 OF 2